


| | | |
|---------------------------|-----------------------------------|---|
| 22260550 | DATA SHEET |  |
| Valid from: 18.11.2019 | AB-C3-M12MS-(L*)PUR-A-1L-S | |

Product description

- Sensor/actuator cable, 3-pins, PUR halogen-free, black grey RAL 7021
- straight M12-plug on valve connector configuration A, with 1 LED
- incl. Z-diode



General characteristics

| | |
|----------------------|---|
| Plug | M12-connector, A-coded Valve-connector, configuration A |
| Number of pins | 3 |
| Ambient temperature | -25 to +90 °C (-13°F to 194°F) (connector) -20 to +85 °C (-4°F to 18°F) (valve connector) -40 to +80 °C (-40°F to 176°F) (cable, fixed installation) -20 to +80 °C (-4°F to 176°F) (cable, flexible) |
| Degree of protection | IP65 / IP67 |
| Tightening torque | 0.4 Nm (M12-connector) 0.6 Nm (valve-connector) |

Product variations

| Article number | Description | Length (L*) [m] |
|----------------|---------------------------|-----------------|
| 22260550 | AB-C3-M12MS-0.3PUR-A-1L-S | 0.3 |
| 22260551 | AB-C3-M12MS-0.6PUR-A-1L-S | 0.6 |
| 22260552 | AB-C3-M12MS-1.0PUR-A-1L-S | 1.0 |
| 22261014 | AB-C3-M12MS-1,1PUR-A-1L-S | 1.1 |
| 22260553 | AB-C3-M12MS-2.0PUR-A-1L-S | 2.0 |

This datasheet is also valid for other length configurations. Other lengths upon request.

Electrical properties


| | |
|------------------------|---------|
| Rated voltage | 24 V |
| Rated current at 40 °C | 4 A |
| Over voltage category | III |
| Pollution degree | 3 |
| Protective circuit | Z-diode |

Mechanical properties

Plug & jack

| | |
|------------------------------------|------------------------------|
| Inflammability class acc. to UL 94 | HB |
| Contact carrier (M12) | TPU GF |
| Grip body (M12) | TPU |
| Contacts (M12) | CuSn |
| Contact surface (M12) | Ni/Au |
| Knurl (M12) | zinc die-cast, nickel-plated |
| Sealing (M12) | TPU |
| Contact insert (valve-connector) | PA 66 |
| Contacts (valve-connector) | CuSn |
| Contact surface (valve-connector) | Sn |
| Housing (valve-connector) | TPU |

| | | |
|---|---------------------------------------|-------------|
| Creator: MANA2/PDP Released: IVSE1/PDP | Document: DB22260550EN Version: 06 | Page 1 of 3 |
|---|---------------------------------------|-------------|

| | | |
|---------------------------|-----------------------------------|---|
| 22260550 | DATA SHEET |  |
| Valid from: 18.11.2019 | AB-C3-M12MS-(L*)PUR-A-1L-S | |

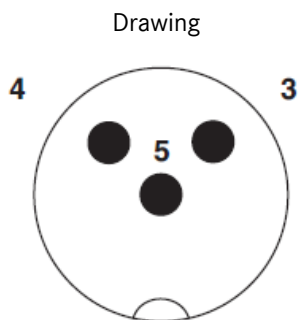
Line

| | |
|--|--|
| Cable construction | 3x AWG20/28 (signal line) |
| Conductor diameter including isolation | 1.5 mm ±0.05mm |
| Cable outer diameter | 4.5 mm ±0.2mm |
| Core identification | Black 1, black 2, green/yellow |
| Sheath colour | blackgrey, similar to RAL 7021 |
| Bending radius | 50 mm |
| Number of bending cycle | 15000000 |
| Traveling distance | 0.9 m |
| Travel speed | 5 m/s |
| Acceleration | 30 m/s ² |
| Outer coating, material | PUR |
| Wire insulation, material | PP |
| Flame resistance | acc. DIN VDE 0482 acc. DIN EN 50265-2-1 |
| Halogen-free | acc. DIN VDE 0472 part 815 |

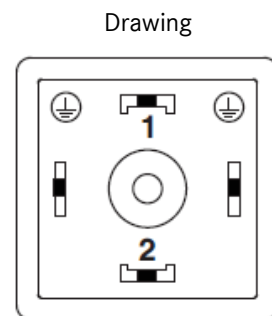
Standards / Approvals

| | |
|-----------------------------------|-----------------|
| Product standard, M12 connector | IEC 61076-2-101 |
| Product standard, valve connector | EN 175301-803 |

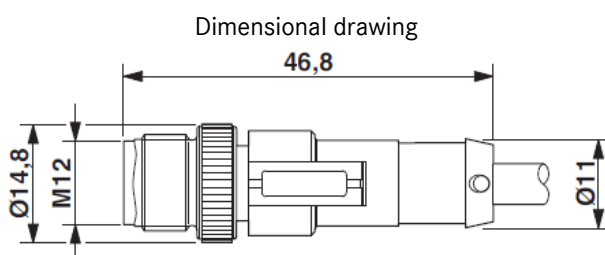
Technical drawing



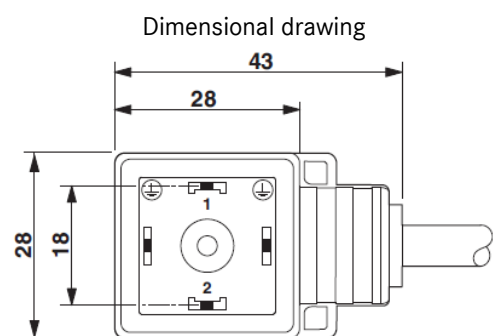
M12-plug, 3-pins, A-coding



Valve connector, configuration A




Plug M12x1, straight

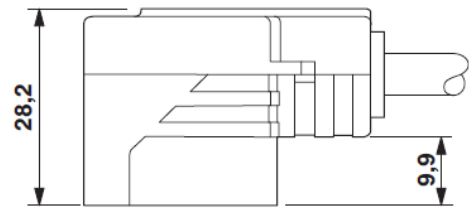


Valve connector, configuration A

| | | |
|---|---------------------------------------|-------------|
| Creator: MANA2/PDP Released: IVSE1/PDP | Document: DB22260550EN Version: 06 | Page 2 of 3 |
|---|---------------------------------------|-------------|

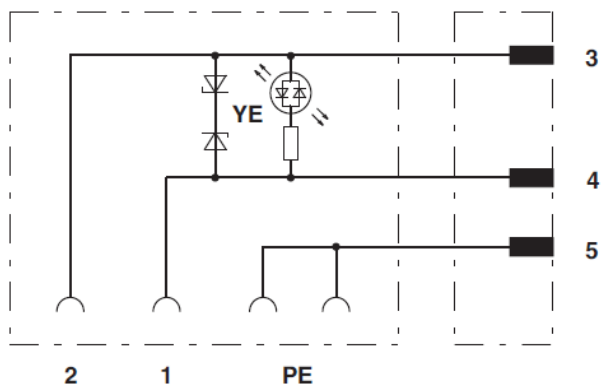
| | | |
|---------------------------|-----------------------------------|---|
| 22260550 | DATA SHEET |  |
| Valid from: 18.11.2019 | AB-C3-M12MS-(L*)PUR-A-1L-S | |

Dimensional drawing



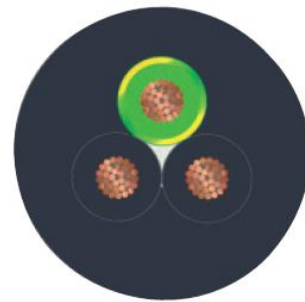
Valve connector, configuration A, Side view

Circuit diagram



Contact assignment the M12-/valve-connector

Wire cross section



Application range

Automation, Tool shop, Mechanical Engineering and plant engineering

Note

Photographs are not true to scale and do not represent detailed images of the respective products.

| | | |
|---|---------------------------------------|-------------|
| Creator: MANA2/PDP Released: IVSE1/PDP | Document: DB22260550EN Version: 06 | Page 3 of 3 |
|---|---------------------------------------|-------------|