

ERS 76 AB11 V2A (410 389)

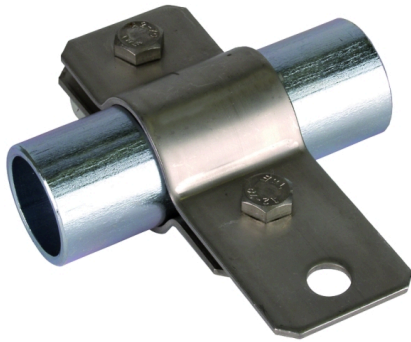
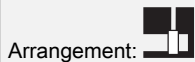
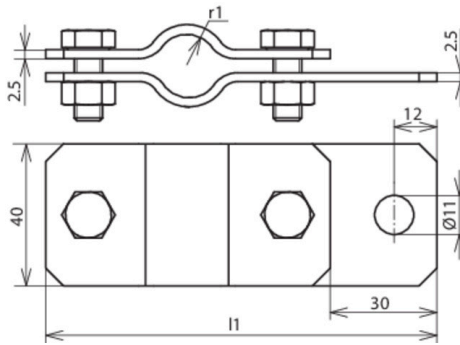


Figure without obligation



Type	ERS 76 AB11 V2A
Part No.	410 389
Clamping range pipe Ø	76 mm
Material	StSt
Screw	M8 x 20 mm
Material of screw / nut	StSt
Dimensions (l1 x r1)	169 x 38 mm
Lightning current carrying capability (10/350 µs)	100 kA ^{*)}
Standard	EN 62561-1
Weight	315 g
Customs tariff number	85389099
GTIN	4013364081482
PU	1 Stk

^{*)} For exact assignment, see test certificate.

We reserve the right to introduce changes in performance, configuration and technology, dimensions, weights and materials in the course of technical progress. The figures are shown without obligation.