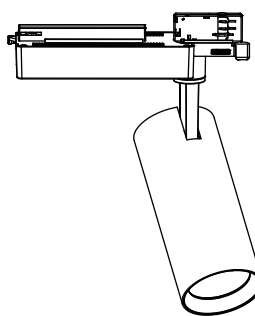
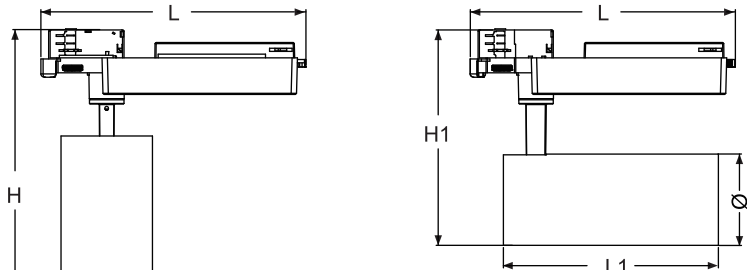


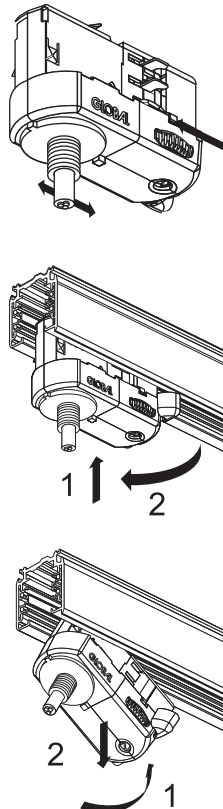
LED Spot Performer 3C Compact

Item Code	CCT	kg
541001094700	3000K	0.95Kg
541001094800	3000K	0.95Kg
541001094900	4000K	0.95Kg
541001095000	4000K	0.95Kg
541001095100	3000K	0.95Kg
541001095200	3000K	0.95Kg
541001095300	4000K	0.95Kg
541001095400	4000K	0.95Kg

Model Name	Ø (mm)	L (mm)	L1 (mm)	H (mm)	H1 (mm)	Rated Voltage(V~)	Frequency (Hz)	Current (A)	Rated Power(w)
LED SP-TR-C-P 37W Dim-B	85	246.5	200	299	200.5	220-240	50/60	0.17	37

GA69



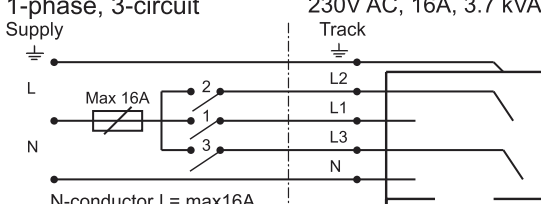
Mounting

Dismounting

GLOBAL Trac Pro

1-phase, 3-circuit 230V AC, 16A, 3.7 kVA

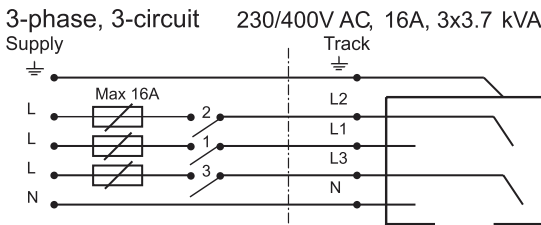
Supply



N-conductor I = max16A

3-phase, 3-circuit 230/400V AC, 16A, 3x3.7 kVA

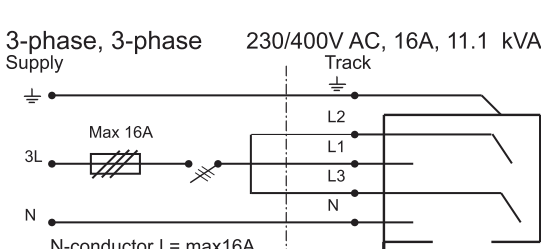
Supply



L1+L2+L3: I = max 16A

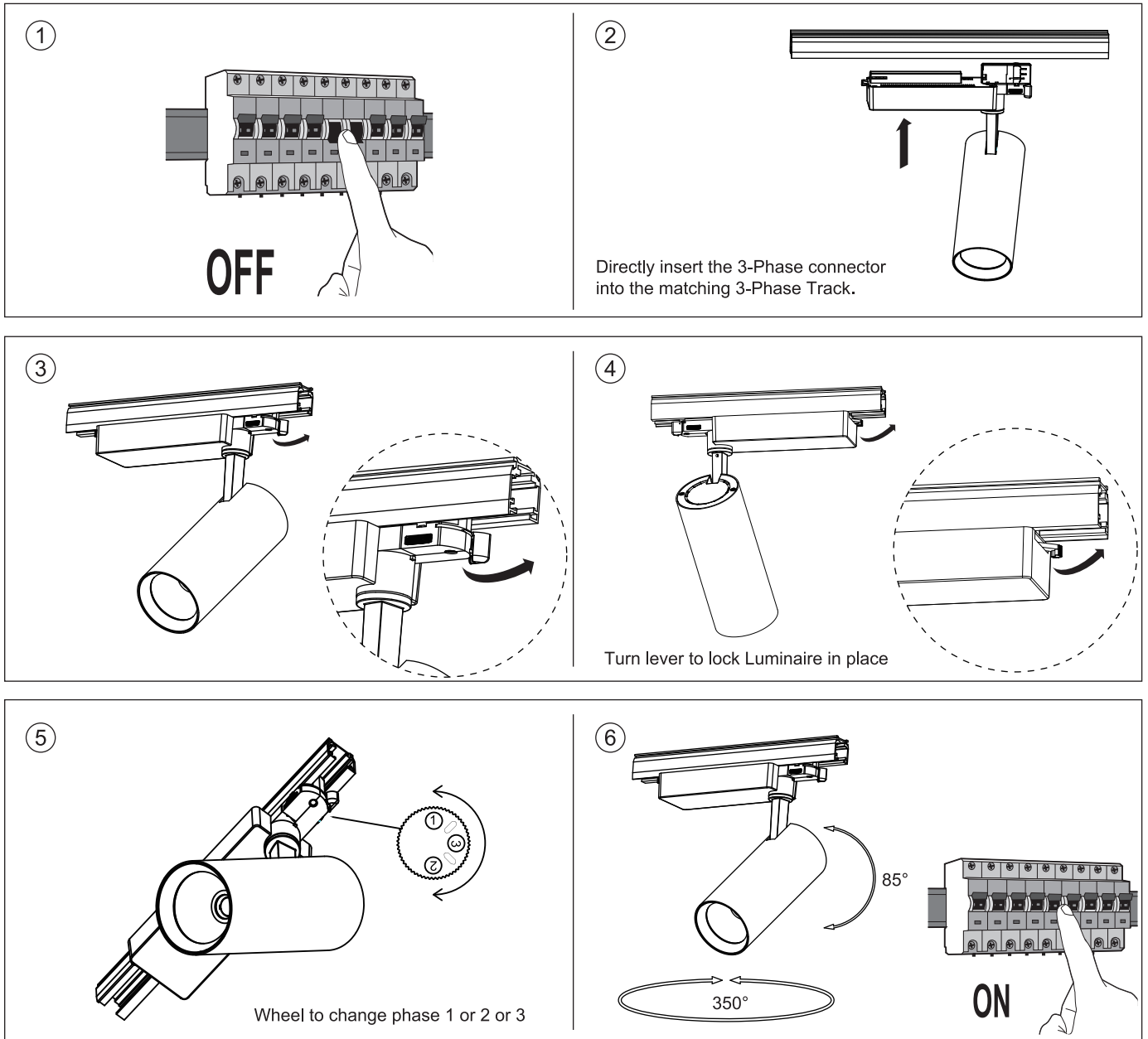
3-phase, 3-phase 230/400V AC, 16A, 11.1 kVA

Supply



N-conductor I = max16A

Bluetooth Operating frequency: 2402-2480MHz
Bluetooth Max. Transmission Power: <20dBm.



Caution: Any operation on LED module is forbidden while power-on.

Zur Vermeidung von Risiken müssen defekte Leitungen ausschließlich vom Hersteller, Inverkehrbringer oder Fachmann ausgetauscht werden.

Achtung: In Betrieb ist keine Arbeit am LED-Modul erlaubt.

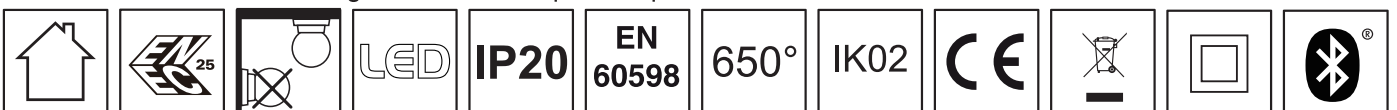


For non-user replaceable light sources:

The light source contained in this luminaire shall only be replaced by the manufacturer or his service agent or a similar qualified person. Otherwise the whole luminaire shall be replaced.

Das Leuchtmittel dieser Leuchte ist nicht austauschbar. Wenn das Leuchtmittel das Ende seiner Lebensdauer erreicht hat, muss die gesamte Leuchte ersetzt werden.

If the external flexible cable or cord of this luminaire is damaged, it shall be exclusively replaced by the manufacturer or his service agent or a similar qualified person in order to avoid a hazard.



Data subject to change
Les données sont sujettes à modifications
Änderungen vorbehalten

Opplé Lighting Electronic (Zhongshan) Co., Ltd.
Building A, No.275 Dongan Bei Road,
Haizhou District,
Guzhen Town,
Zhongshan City,
Guangdong, China.

OPPLE Lighting B.V.
Meerenakkerweg 1.11
5652 AR Eindhoven
The Netherlands
service@opple.com
www.opple.com