



HF-Regulator II for PL-T/C

HF-R 2 26-42 PL-T/C EII 220-240V 50/60Hz

Compact, high-frequency electronic dimming ballast, using the analog protocol (1-10 V) for PL-T, PL-C and PL-R lamps. The ballast is primarily designed for Indoor application. For outdoor application, the luminaire should be minimum Class II need to be sufficiently protected against water & dust. The installation should also be guard against any lightning surge or any other necessary electrical protection as deemed in such typical installation & application.

Product data

General Information		T-Case Lifetime (Nom)		65 °C	
Number of Lamps	2 piece/unit	T-Case Maximum (Max)		75 °C	
Operating and Electrical		Controls and Dimming			
Input Voltage	220 to 240 V	Control Interface		1-10V	
Line Frequency	50 to 60 Hz	Mechanical and Housing			
Input Frequency	50 to 60 Hz	Housing		S 123x79x33	
Earth Leakage Current (Max)	0.5 mA	Approval and Application			
Inrush Current Width	0.35 ms	Ingress protection code		IP20 [Finger-protected]	
Inrush Current Peak (Max)	45 A	Energy Efficiency Index		A1 BAT	
Number of Products on MCB (16A Type B) (Nom)	12	Safety Standard		IEC 61347-2-3	
Wiring		Environmental Standard		ISO 14001	
Connector Type Input Terminals	Insert	Approval Marks		CE marking ENEC certificate VDE-EMV certificate	
Connector Type Output Terminals	Insert	Product Data			
Temperature		Full product code		872790080972500	
Ambient temperature range	-20 °C to 50 °C				

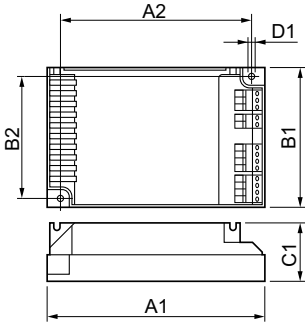
HF-Regulator II for PL-T/C

Order product name	HF-R 2 26-42 PL-T/C EII 220-240V 50/60Hz
Order code	913700626566
Numerator - Quantity Per Pack	1
Numerator - Packs per outer box	12
Material number (12NC)	913700626566

Full product name	HF-R 2 26-42 PL-T/C EII 220-240V 50/60Hz
EAN/UPC - Case	8727900809725



Dimensional drawing



Product	D1	C1	A1	A2	B1	B2
HF-R 2 26-42 PL-T/C EII 220-240V 50/60Hz	4.5 mm	33.0 mm	123.0 mm	111.0 mm	79.0 mm	67.0 mm

