

Product End-of-Life Instructions

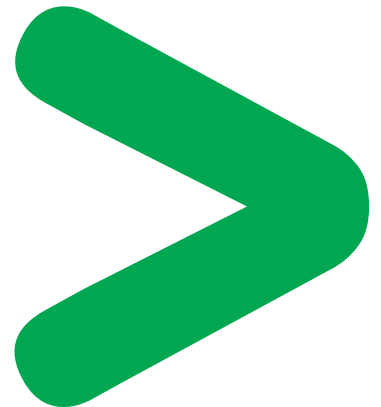
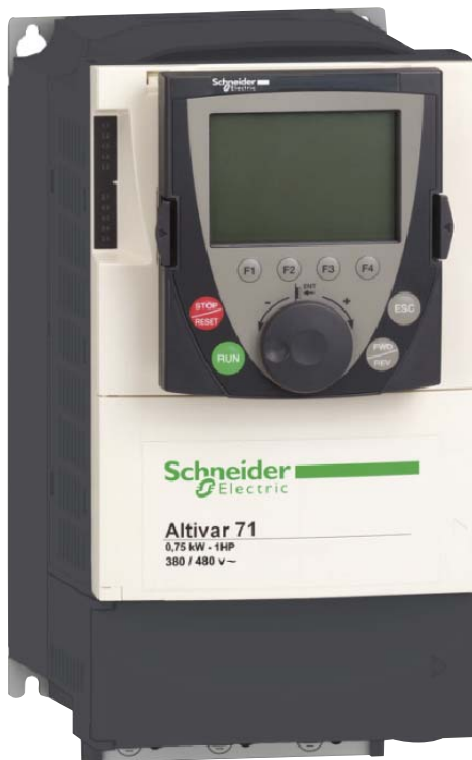
ALTIVAR 71 0.37 – 18 kW

Product Range

ALTIVAR 71 0.37 – 18 kW

Marketing Model

ATV71H075N4 and all models of Product Family: ALTIVAR 71 0.37 – 18 kW



Size (mm):

W x H x D: 130 x 230 x 175

Weight in kg (or g):

3000 g



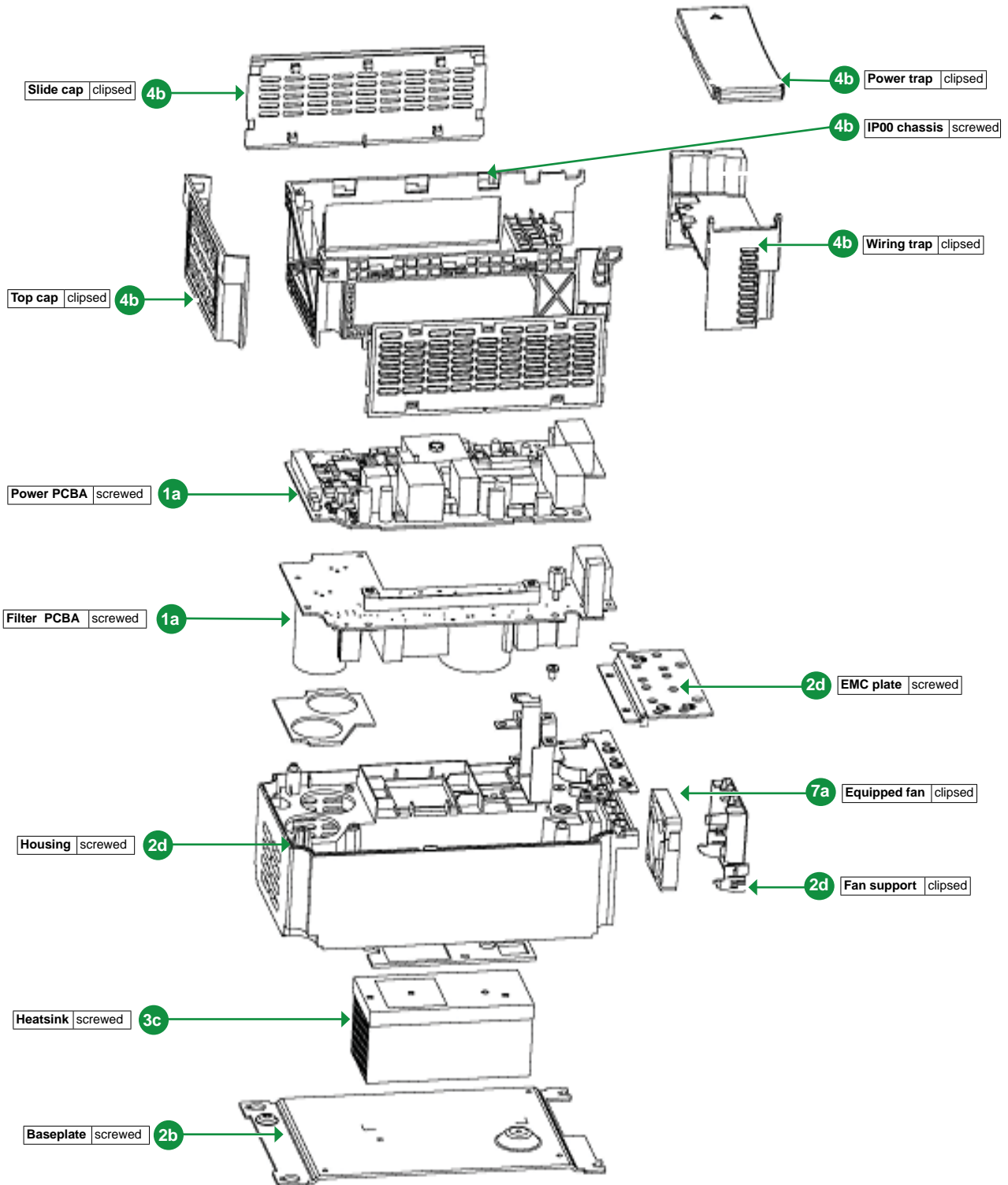
Operations recommended for the end of life treatment

There are several steps to process the products at the end of life so as to recover components, materials or energy :

Reuse ⇒ Depollution ⇒ Dismantling ⇒ Shredding

The components of the products that are recommended to be depolluted (according to the WEEE 2002/96/EC list) or that are recommended to be re-used or dismantled so as to improve the material recovery or that lead to some hazards are listed, identified and located hereunder.

This ATV71 contains electrolytic capacitors which may cause electrical shock during the end of life treatment process. **BEFORE SERVICING, REMOVE ALL POWER and WAIT 15 MINUTES.**



Ref.	End of life groups of components	%	Representative product weights (g)	Comments
1	PCBA	32	872	
1a	Heavy PCBA (power)	24	(661)	To be removed following WEEE directive
1b	Light PCBA (Com)	8	(211)	To be removed following WEEE directive
2	Ferrous	22	618	
2a	Electroplated coated sheet metal	0	(-)	
2b	Hot dip coated sheet metal	0	(-)	
2c	Painted sheet metal	0	(-)	
2d	Steel and its alloys	22	(618)	
3	Non-ferrous	12	337	
3a	Copper and its alloys	~0	(0.5)	
3b	Zinc and its alloys	~0	(1)	
3c	Aluminium and its alloys	12	(335.5)	
4	Plastics	26	752	
4a	Plastics with brominated FR	0	(-)	To be removed following WEEE directive
4b	Plastics without brominated FR	26	(752)	
5	Coils (Copper or aluminium)	0	-	
6	Wire cables	3	88	
6a	Copper conductor cables	3	(88)	
6b	Aluminium conductor cables	0	(-)	
7	Complex parts	4	89	
7a	Fans	1	(21)	
7b	Power modules (IGBT)	2	(57)	
7c	Terminal blocks	0	(-)	
7d	Circuit breakers	0	(-)	
7e	Others (ZCT, Keypad, ...)	1	(11)	
8	Capacitors (PCB free)	-	-	To be removed following WEEE directive
9	Other	1	14.5	
9a	EPDM	~0	(2)	
9b	Ferrites	1	(12.5)	
TOTAL		100%	2770 g	

Schneider Electric Industries SAS

35, rue Joseph Monier
CS30323
F - 92506 Rueil Malmaison Cedex

RCS Nanterre 954 503 439
Capital social 896 313 776 €
www.schneider-electric.com

The version of the Guide used to create the document: End of Life Instruction Drafting Guide of Schneider Electric version V1.

Publication : Schneider Electric