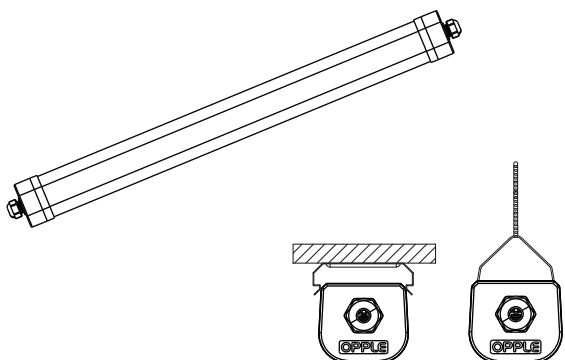
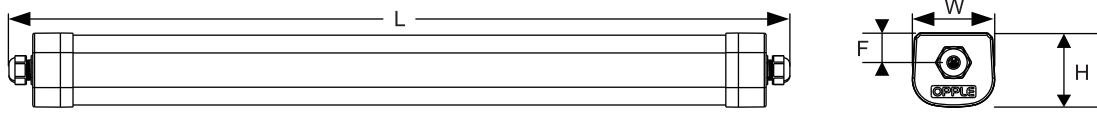


LED Waterproof Ecomax G2

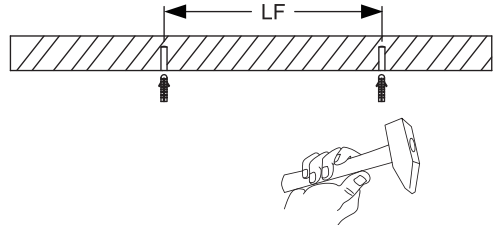
OPPLE

Version date 29-11-2019
www.opple.com

Item Code	CCT	kg
543022012600	4000K	0.51kg
543022012500	4000K	0.57kg
543022012400	4000K	0.93kg
543022012300	4000K	0.95kg
543022012200	6500K	0.95kg
543022012100	4000K	1.04kg
543022012000	4000K	1.09kg
543022011900	6500K	1.09kg

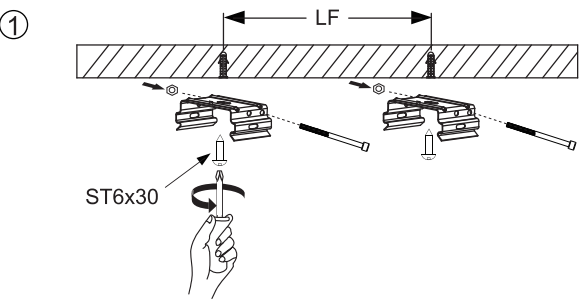
Model	L (mm)	W (mm)	H (mm)	F (mm)	Rated Voltage	Frequency	Rated Power	Max luminaires connected in line using external 1.5mm ² wire	Max luminaires connected in line using external 2.5mm ² wire
LED WP-E2 L680-10W	680	62	56	22	220-240V~	50/60Hz	10W	48	81
LED WP-E2 L680-20W	680						20W	24	40
LED WP-E2 L1260-18W	1260						18W	26	45
LED WP-E2 L1260-37W	1260						37W	13	21
LED WP-E2 L1260-37W	1260						37W	13	21
LED WP-E2 L1540-27W	1540						27W	17	30
LED WP-E2 L1540-50W	1540						50W	9	16
LED WP-E2 L1540-50W	1540						50W	9	16



Model	LF(mm)
LED WP-E2 L680-10W	350
LED WP-E2 L680-20W	350
LED WP-E2 L1260-18W	650
LED WP-E2 L1260-37W	650
LED WP-E2 L1260-37W	650
LED WP-E2 L1540-27W	950
LED WP-E2 L1540-50W	950
LED WP-E2 L1540-50W	950

Installation

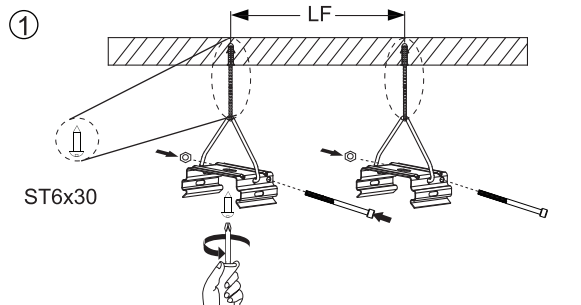
Surface Mounting



①

ST6x30

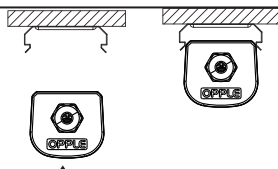
Suspension Mounting



①

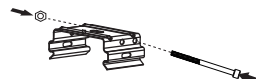
ST6x30

②



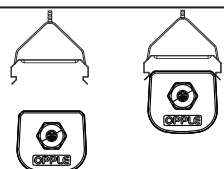
PUSH

③ Optional safety screw



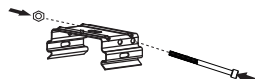
© Hex screw: 4x55

②



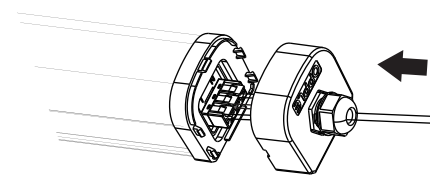
PUSH

③ Optional safety screw

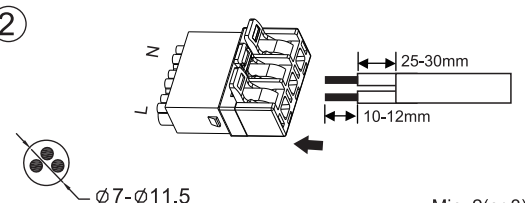


© Hex screw: 4x55

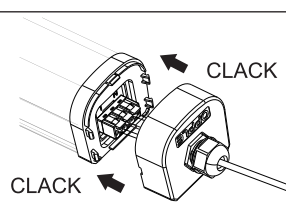
Wiring

① 

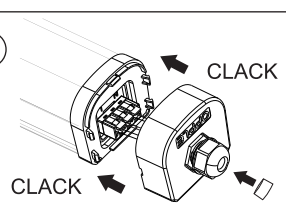
Put wire through the cable gland

② 

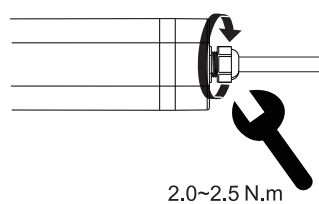
External Wire diameter : Min: 2(or 3) x 1.0mm²
Max: 2(or 3) x 2.5mm²

③ 

CLACK

④ 

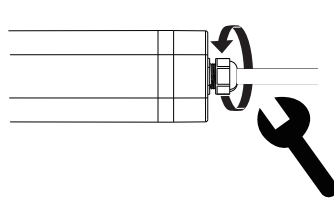
CLACK

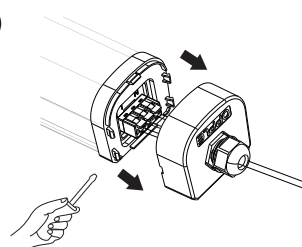
⑤ 

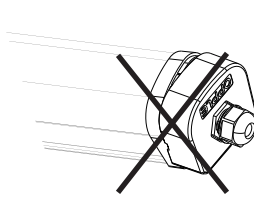
2.0~2.5 N.m

⚠ IP65 rating can only be guaranteed with properly tightened glands and properly closed endcaps. ⚠ Add the rubber block when through wiring is not required

To reopen the luminaire

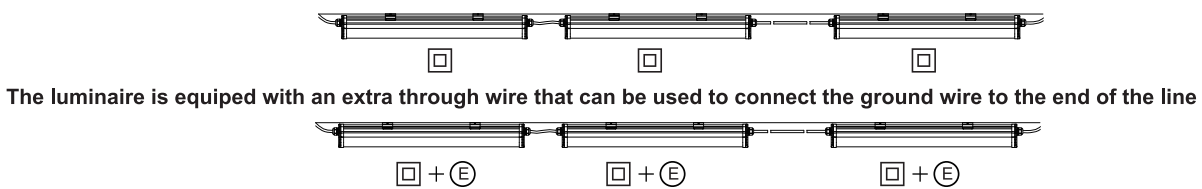
① 

② 

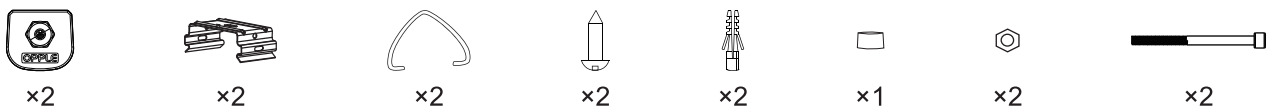
③ 

⚠ DO NOT TWIST THE ENDCAP TO OPEN

LUMINAIRE IS ELECTRICAL PROTECTION CLASS II, GROUND WIRING IS NOT MANDATORY



Components



Components included in the packaging inside the components box.



Caution: Any operation on LED module is forbidden while power-on.
Zur Vermeidung von Risiken müssen defekte Leitungen ausschließlich vom Hersteller, Inverkehrbringer oder Fachmann ausgetauscht werden.
Achtung: In Betrieb ist keine Arbeit am LED-Modul erlaubt.



For non-user replaceable light sources:
The light source contained in this luminaire shall only be replaced by the manufacturer or his service agent or a similar qualified person.
Das Leuchtmittel dieser Leuchte ist nicht austauschbar. Wenn das Leuchtmittel das Ende seiner Lebensdauer erreicht hat, muss die gesamte Leuchte ersetzt werden.



For use in environments where normal non-conductive/conductive dust accumulation may be expected, not for use in environments with expected high/unusual dust accumulation.



Data subject to change Les données sont sujettes à modifications Änderungen vorbehalten

Opplé Lighting Electronic (Zhongshan) Co., Ltd.
528422
Building A, No.275 Dongan Bei Road,
Haizhou District, Guzhen Town,
Zhongshan City, Guangdong, China.

OPPLE Lighting B.V.
Materiaalweg 6-6A
5681 RJ Best
The Netherlands
service@opple.com
www.opple.com