


22260108	<b>DATA SHEET</b>	
Valid from: 17.09.2018	<b>AB-C4-M12MS-M16-0,5</b>	

## Description

- Sensor/Actuator flush-type plug, 4-pos., A-coded, M12 quick locking
- Front/screw mounting with M16 thread, with 0.5 m TPE litz wire, 4 x 0.34 mm<sup>2</sup>



## General characteristics

Number of poles	4
Connection type	Fixed connection
Status indicator	No
Coding	A-standard
Degree of protection	IP 67
Inflammability class acc. to UL 94	V0
Ambient temperature (operation)	-25 to +90 °C (-13 to 194 °F) (connector) -25 to +85 °C (-13 to 185 °F) (cable fixed installation)

## Electrical properties

Nominal voltage U <sub>N</sub>	250 V
Nominal current I <sub>N</sub>	4 A
Surge voltage category	II
Pollution degree	3
Insulation resistance	20 mΩ*km
Contact resistance	3 mΩ

## Mechanical properties


### Connector

Contact, material	CuZn
Contact surface, material	Au
Contact carrier, material	PA66 GF
Knurl, material	Zinc die-cast (nickel-plated)
Sealing, material	NBR

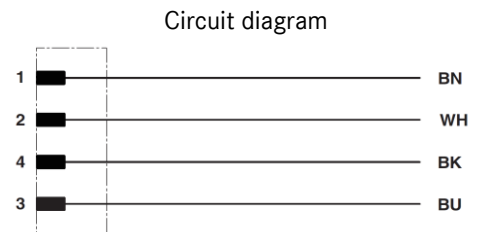
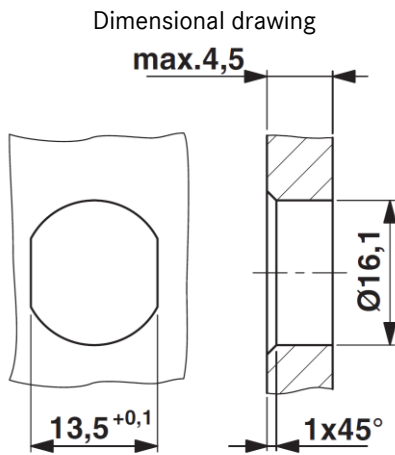
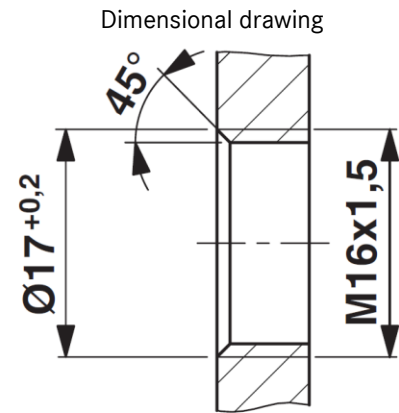
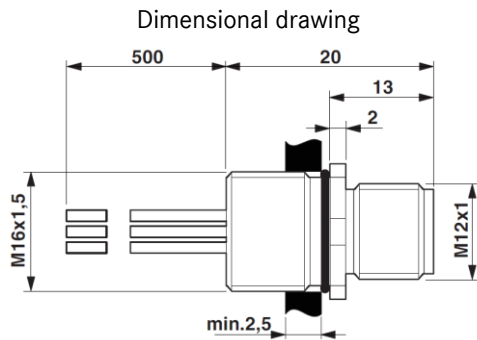
### Line

Cable type	TPE litz wire
Conductor, material	Tin plated copper litz wires
Core insulation, material	PE
Conductor diameter including insulation	1.2 mm
Conductor cross section	0.34 mm <sup>2</sup>
AWG signal line	22

Creator: MOKO2/PDP Released: IVSE1/PDP	Document: DB22260108EN Version: 03	Page 1 of 2
---	---------------------------------------	-------------

22260108	<b>DATA SHEET</b>	
Valid from: 17.09.2018	<b>AB-C4-M12MS-M16-0,5</b>	

### Technical drawing



### Application range

Connection of enclosures and cabinets

### Note

Photographs are not true to scale and do not represent detailed images of the respective products.

Creator: MOKO2/PDP Released: IVSE1/PDP	Document: DB22260108EN Version: 03	Page 2 of 2
---	---------------------------------------	-------------