

WOJP05885

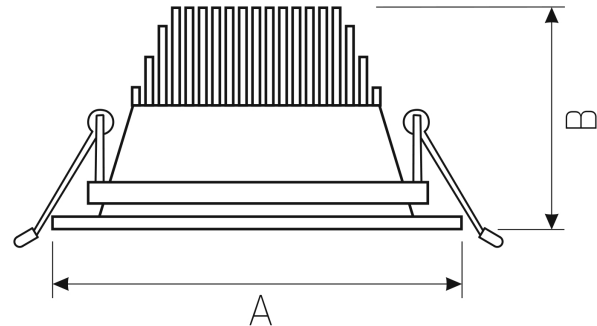
WOJP05885



Power	27 W	Voltage	230 V
Colour temperature	3000 K	Colour of light	WW
Beam angle	38 °	Degree of protection (IP)	IP20

Technical data

Code	WQJP05885
Power	27 W
Nominal current	129.1 mA
Voltage	230 V
Energy consumption	27 kWh/1000h
Frequency	50HZ Hz
Protection class	II
Power supply included	+
Manufacturer of power supply	TCI
Power factor	0.93
Useful luminous flux*	3105 lm (360°)
Luminous flux**	2700 lm (360°)
Lamp efficacy	115 lm/W
Colour temperature	3000 K
Colour of light	WW
Beam angle	38 °
RA	90
Light source included	+
Producer of LED diodes	CREE
Uniformity of color SDCM max	3
Dimmable	OPC
Working temperature range	-20/+40 °
Lifespan	50000 h
Housing material	Aluminum
Degree of protection (IP)	IP20
Colour	Black
Dimension (AxBxC)	180x130 mm
Mounting hole	Ø145 mm
For use	Inside
Assembly method	Recessed
Application	Inside
Made in	PL



Related documents



 Photometric file