

Essentia Intelligent Input/Output Unit EME212-I

Instruction Sheet
R10122GB1



Schneider Electric Fire & Security Oy

Sokerilinnantie 11 C
FI-02600 Espoo, Finland
Tel: +358 10 446 511
Website: www.se.com
Document number: R10122GB11
Published: 08.10.2020

© 2020 – Schneider Electric. All Rights Reserved. This information is only to be used as guidance. Subject to changes and errors.

Contents

1	Essentia Intelligent Input/Output Unit EME212-I	4
1.1	Status indications	4
1.2	Dimensions	4
1.3	Essentia intelligent input/output unit standard resistive monitoring mode connectivity diagram ..	5

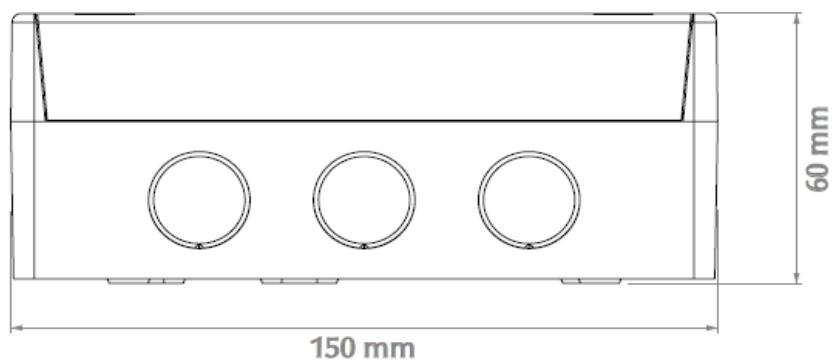
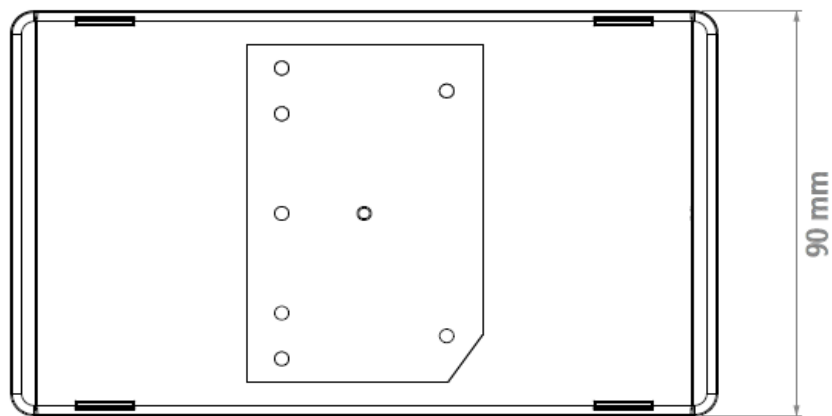
1 Essentia Intelligent Input/Output Unit EME212-I

The Essentia intelligent input/output unit EME212-I (FFS06720312 and FFS06720312SA) with isolator provides supervision of normally open contacts connected to a single pair of cables. Output has a changeover relay. There is a DIL switch for address setting. Address range is 1-126.

1.1 Status indications

Legend	LED Status	Description
RLY	Continuous Red	Relay Active
RLY	Continuous Yellow	Relay Fault
Poll/ISO	Flashing Green	Polling LED
Poll/ISO	Continuous Yellow	Isolator LED
I/P	Continuous Yellow	Input Fault
I/P	Continuous Red	Input Active

1.2 Dimensions



1.3 Essentia intelligent input/output unit standard resistive monitoring mode connectivity diagram

