

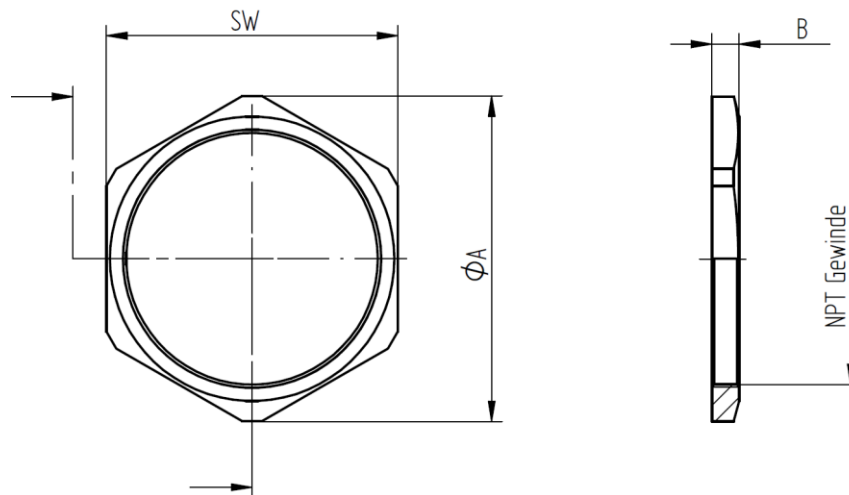
52103540	DATA SHEET	
Valid from: 08.11.2019	SKINDICHT® SM-NPT	

The SKINDICHT® SM-NPT is a nickel plated brass hex locknut.
The locknut is used where cable glands are attached but there is only a pass-through hole.



Technical features:

Material	Brass, nickel plated
Sizes	1/2" up to 2" NPT
Temperature range	-60 °C up to +200 °C



NPT	SW [mm]	Ø A [mm]	B [mm]	Art. Nr.
1/2"	27	30,0	4,0	5210 3540
3/4"	32	35	4,5	5210 3550
1"	38	42	6,0	5210 3560
1 1/4"	48	53	6,5	5210 3570
1 1/2"	55	61	7,0	5210 3580
2"	68	74	5,0	5210 3590

For more information please see our current catalogue. Please do not hesitate to contact our laboratory if there are any questions regarding resistance against aggressive agents and special oil.

Creator: MAU1 /PDP Released: DAMU1/PDP	Document: DB52103540EN Version: 01	Page 1 of 1
---	---------------------------------------	-------------