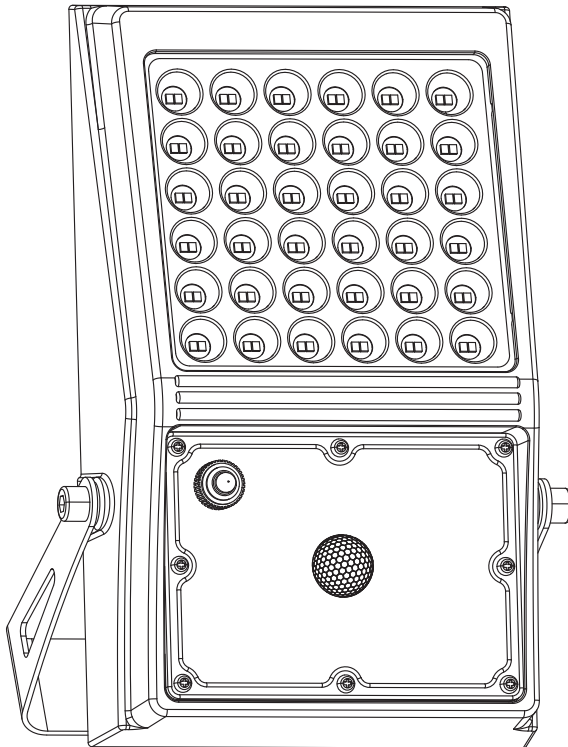


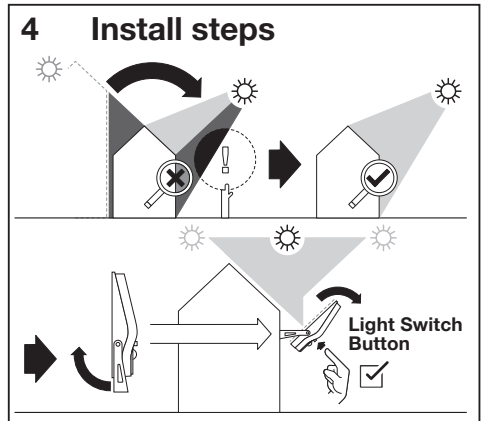
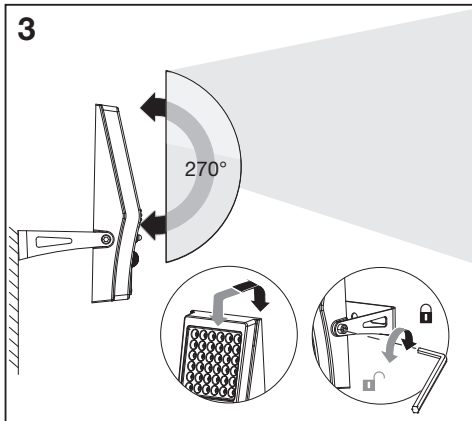
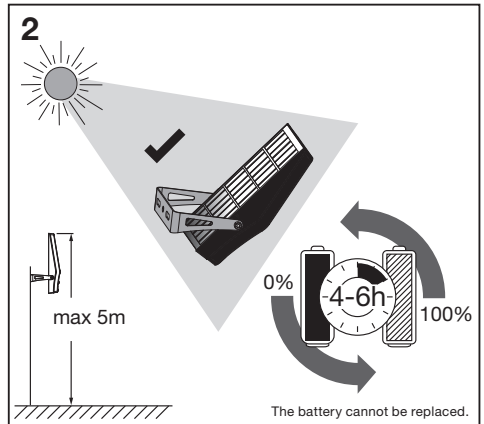
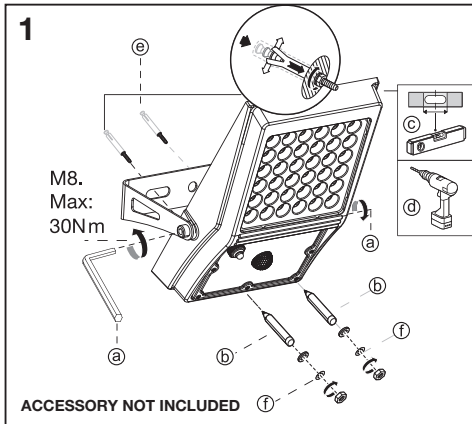
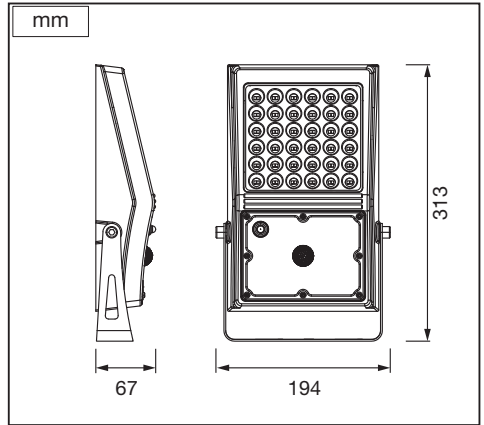
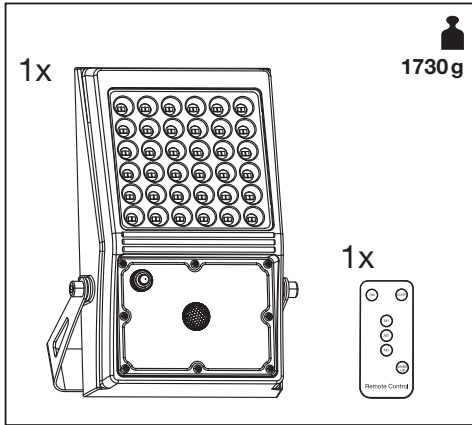
---

**ENDURA FLOOD SOLAR SENSOR**

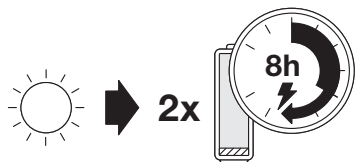

---



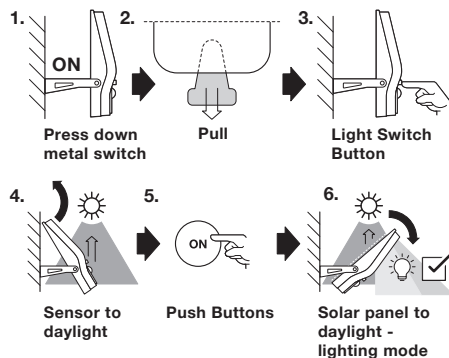
	EAN	W	lm	K	⊖ (°C)	IP	∇	📐	Projected area / m2
<b>ENDURA FLOOD SOLAR SEN REM 10W 840</b>	4058075762350	10	1200	4000	-20...+45	65	95°	36000	0.047538



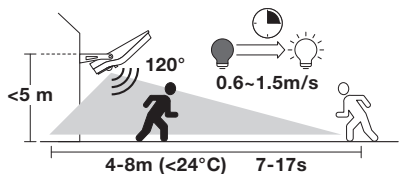
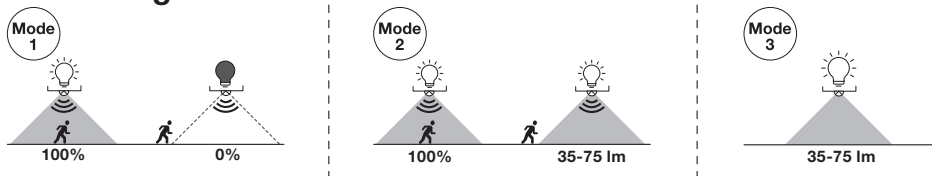
### 5 Before 1st use



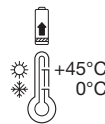
### 6 Operation



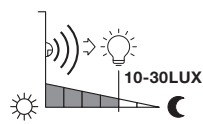
### 7 Working mode



Working Ambient Temp.

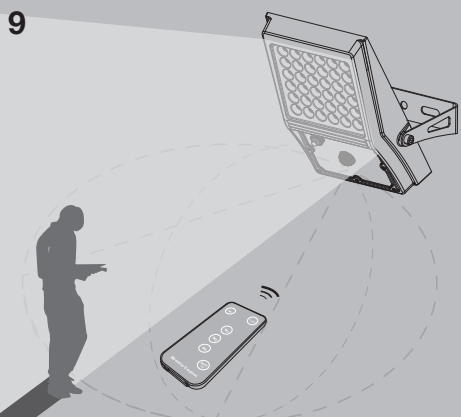
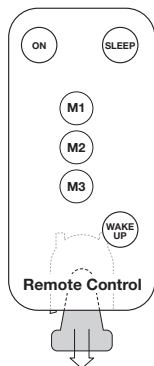


Charging Ambient Temp.





Ambient light-sensing threshold

### 8 Remote control

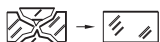


## Figure 1-Warning against swallowing coin batteries

 <b>BATTERY WARNING</b>	
<p><b>KEEP OUT OF REACH OF CHILDREN</b> Swallowing can lead to chemical burns, perforation of soft tissue, and death. Severe burns can occur within 2 hours of ingestion. Seek medical attention immediately.</p>	
<p><i>NOTE BS EN IEC 60086-4:2019, Figure 9, modified.</i></p>	

- a) "BATTERY WARNING: KEEP OUT OF REACH OF CHILDREN";
- b) "If the battery compartment (if applicable) does not close securely, stop using the product and keep it away from children" ; and
- c) "If you think batteries might have been swallowed or placed inside any part of the body, seek immediate medical attention."

<p><b>No obvious symptoms</b></p>
<p>Unfortunately, it is not obvious when a button or coin battery is stuck in a child's oesophagus (food pipe). There are no specific symptoms associated with this. The child might:</p> <ul style="list-style-type: none"> <li>• cough, gag or drool a lot;</li> <li>• appear to have a stomach upset or a virus;</li> <li>• be sick;</li> <li>• point to their throat or stomach;</li> <li>• have a pain in their abdomen, chest or throat;- be tired or lethargic;</li> <li>• be quieter or more clingy than usual or otherwise "not themselves";</li> <li>• lose their appetite or have a reduced appetite; and</li> <li>• not want to eat solid food / be unable to eat solid food.</li> </ul> <p>These sorts of symptoms vary or fluctuate, with the pain increasing and then subsiding.</p> <p>A specific symptom to button and coin battery ingestion is vomiting fresh (bright red) blood. if the child does this seek immediate medical help.</p> <p>The lack of clear symptoms is why it is important to be vigilant with "flat" or spare button or coin batteries in the home and the products that contain them.</p>



	<p><b>Cet appareil et ses accessoires se recyclent</b></p>	<p>À DÉPOSER EN MAGASIN</p> 	<p>OU</p>	<p>À DÉPOSER EN DÉCHÈTERIE</p> 
--	--	---	-----------	--

Points de collecte sur [www.quefairedemesdechets.fr](http://www.quefairedemesdechets.fr)

C10449057  
G11137809  
20.09.2022



LEDVANCE GmbH  
Steinerne Furt 62  
86167 Augsburg, Germany  
[www.ledvance.com](http://www.ledvance.com)