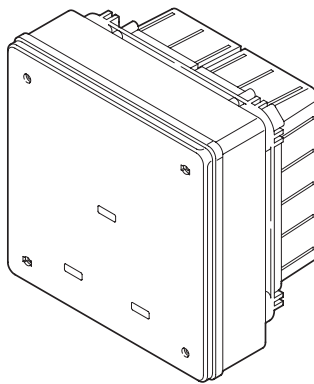
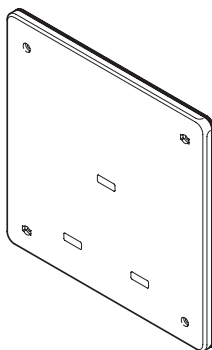


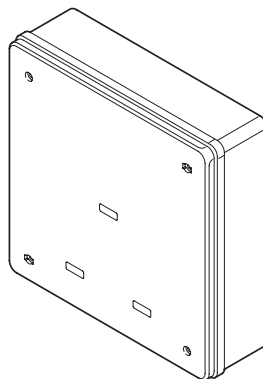
**GW 48 207**  
**GW 48 211**



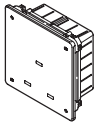
**GW 48 227**  
**GW 48 231**



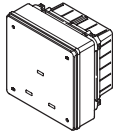
**GW 48 247**  
**GW 48 251**



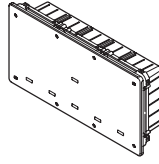
**GW 48 267**  
**GW 48 271**



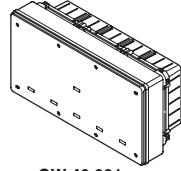
GW 48 207



GW 48 227



GW 48 211



GW 48 231



A



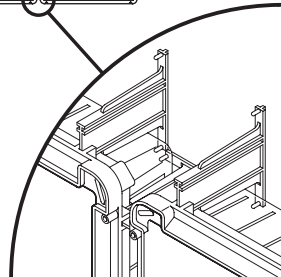
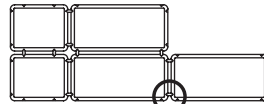
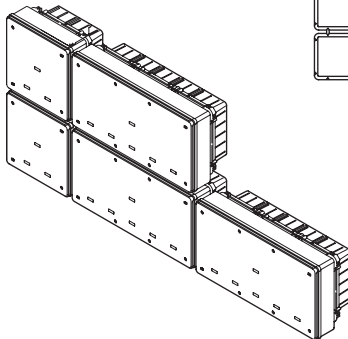
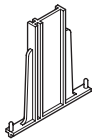
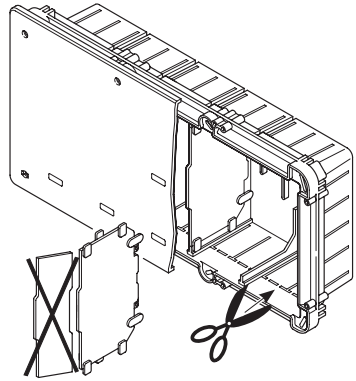
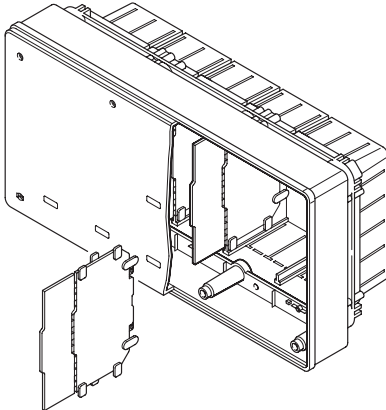
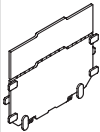
B

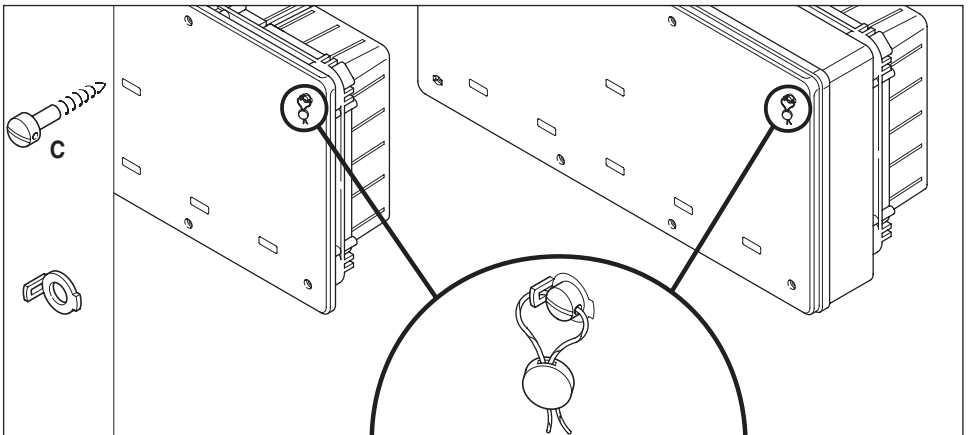
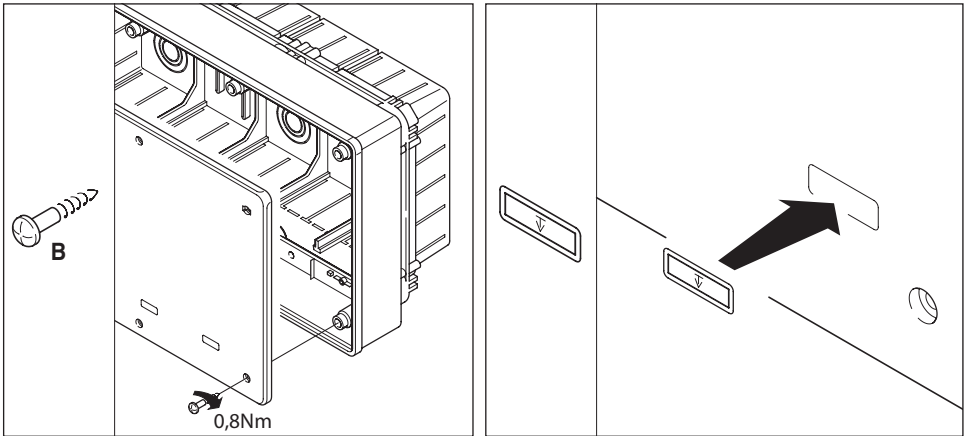
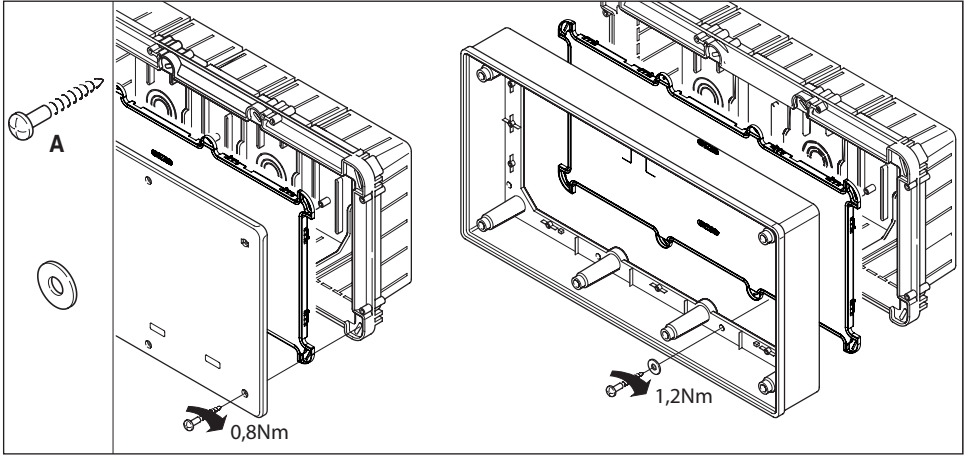


C



GW 48 207	1	2	4	—	—	2	2	6
GW 48 227	1	2	4	4	4	2	2	6
GW 48 211	4	2	8	—	—	2	2	6
GW 48 231	4	2	8	8	8	2	2	6







ST 2,9x9,5  
(EN ISO 7049)


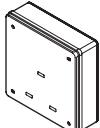
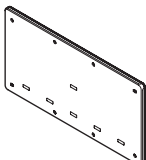
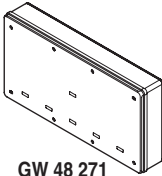
L max

	L max (mm)	Pde max (1)	Pde max (2)
GW48207	200	13W	11W
GW48227	200	13W	11W
GW48211	460	30W	27W
GW48231	460	30W	27W






TH 35-7,5  
(EN 60715)

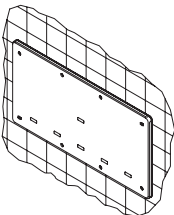
3,5

7,5

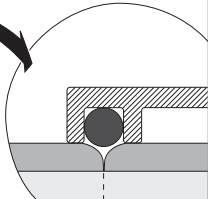





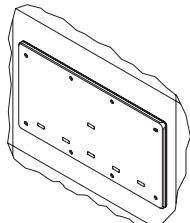
IP44

	 <b>B</b>		 <b>C</b>		
GW 48 247	—	—	2	2	6
GW 48 267	2	4	2	2	6
GW 48 251	—	—	2	2	6
GW 48 271	6	8	2	2	6

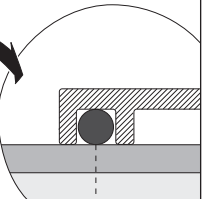


**IP44** ❌





**IP44** ✅



Ai sensi delle Decisioni e delle Direttive Europee applicabili, si informa che il responsabile dell'immissione del prodotto sul mercato Comunitario è:  
 According to the applicable Decisions and European Directives, the responsible for placing the apparatus on the Community market is:  
**GEWISS S.p.A. Via A.Volta, 1 IT-24069 Cenate Sotto (BG) Italy Tel: +39 035 946 111 Fax: +39 035 946 270 E-mail: qualitymarks@gewiss.com**