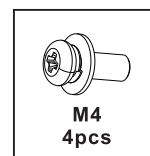
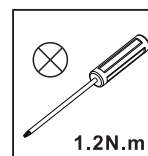
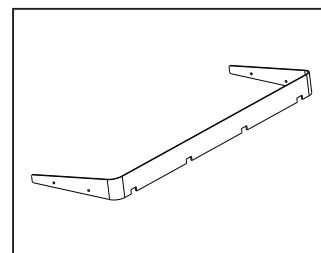
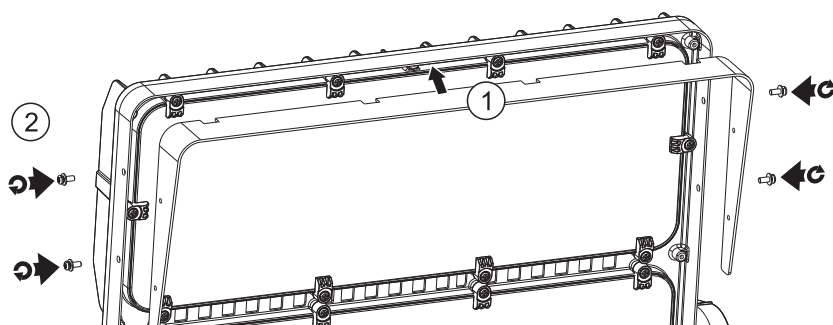


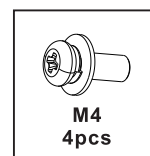
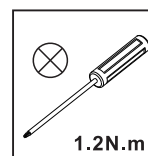
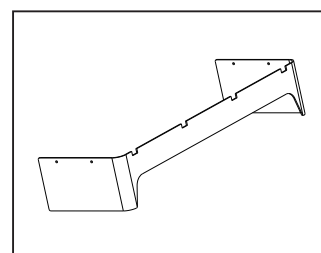
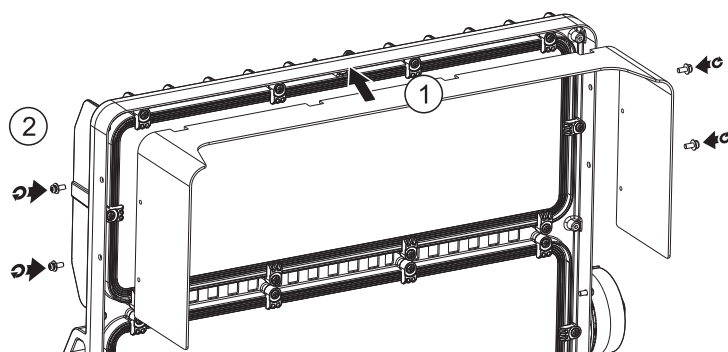
FloodOly-P Visor-Fixed

| Type | Item Code | Luminaire Description |
|------|--------------|---|
| A | 709098003100 | FloodOly-P Visor-Fixed-AS-1Mod |
| B | 709098003200 | FloodOly-P Visor-Fixed-AS-Side-1Mod |
| C | 709098003300 | FloodOly-P Visor-Fixed-XN/N/W-1Mod |
| D | 709098003400 | FloodOly-P Visor-Fixed-XN/N/W-Refl-1Mod |

Type A



Type B



Type C/D

