

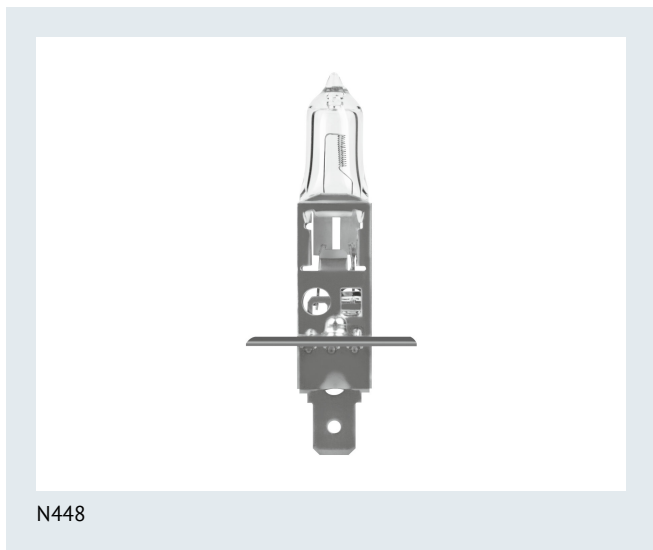


# NEOLUX®

GERMAN TECHNOLOGY

## Standard 55 W 12 V P14.5s

Car lamps from NEOLUX ensure the roads ahead are well-lit and visible to others.



N448

### Product family benefits

- Suitable for the most common headlight lamps
- Affordable
- Reliable manufacturer
- Good illumination of the road
- Reliable products

### Product family features

- Broad product range
- Good and reliable quality thanks to German technology
- ECE certified lamps
- Normed light output
- Basis for good light distribution

### Areas of application

- Headlight



N448



N448-01B

**Product information**

Application (Category and Product specific)	Halogen headlight lamp
---	------------------------

**Electrical data**

Power input	68 W
Test voltage	13.2 V
Nominal wattage	55.00 W
Nominal voltage	12.0 V

**Photometrical data**

Color temperature	3200 K
Luminous flux	1550 lm
Luminous flux tolerance	±15 %

**Dimensions & weight**

Product weight	6.30 g
Length	67.5 mm
Diameter	9 mm

**Lifespan**

Lifespan Tc	400 h
Lifespan B3	150 h

**Additional product data**

Base (standard designation)	P14.5s
-----------------------------	--------

**Capabilities**

Technology	Halogen lamp
------------	--------------

**Certificates & standards**

ECE category	H1
British standard	448

**Logistical data**

Order reference	N448
-----------------	------

**Environmental information**

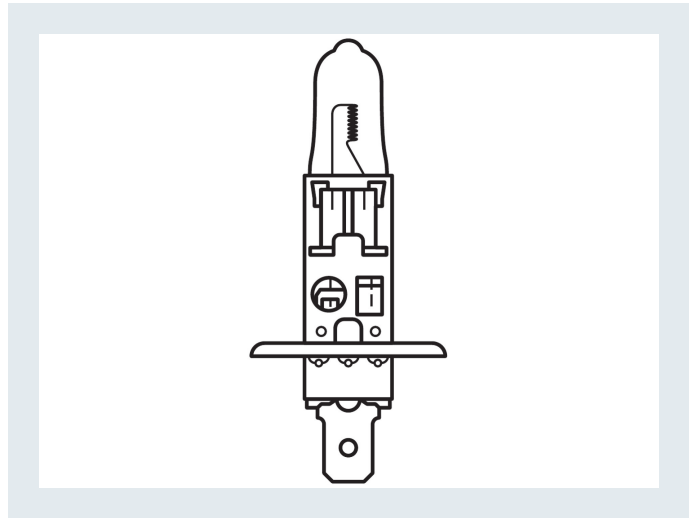
Date of Declaration	02-12-2022
Primary Article Identifier	4006584051434   4006584350896   4006584490264   4008321760340   4008321771476   4006584738236   4006584795635   4052899198432   4055462180728   4055462246165   5011274044800   4055462256157   4055462274922   4055462301772   4055462309396
Candidate List Substance 1	No declarable substances contained
Declaration No. in SCIP database	In work

**Packaging Information**

Packaging description	EAN	Packaging type	Amount of article
NEOLUX			

Product datasheet

N448	4008321760340	Folding box	1
N448-01B	4008321771476	Blister	1



**NEOLUX**<sup>®</sup>  
GERMAN TECHNOLOGY

NEOLUX Automotive Lighting  
OSRAM GmbH

Marcel-Breuer-Str 6  
80807 Munich, Germany

Phone +49 89 6213-0  
Fax +49 89 6213-2020

[www.neolux-lighting.com](http://www.neolux-lighting.com)