


22260128	DATA SHEET	
Valid from: 12.09.2019	AB-C5-M12FA-PG7	

Product description

Sensor/Actuator connector, angled socket, 5-pos., M12, A-coded, screw connection, metal knurl, cable screw connection Pg7



General properties

Ambient temperature	-40 to +85 °C
Protection degree	IP 67
Number of contacts	5
Outer diameter, cable	4.0 – 6.0 mm
Termination type	screw connection
Termination cross section, AWG	24 – 18
Termination cross section, mm ²	0.25 – 0.75
Mating cycles	≥ 100

Electrical properties

Rated voltage	60 V
Contact resistance	≤ 8mΩ
Insulation resistance	≥ 100 MΩ
Proof voltage, contact-contact	≥ 1.0 kV
Proof voltage, contact-housing	≥ 1.0 kV
Rated current	4 A
Overvoltage category	II
Pollution degree	3


Materials

Contact carrier	PA
Contact carrier, Inflammability class in accordance with UL 94	V0
Contacts, base material	CuZn
Contacts, surface	Au
Locking nut	Die-cast zinc, Ni plated
Grip body	PA
Sealing	NBR / FKM

Standards

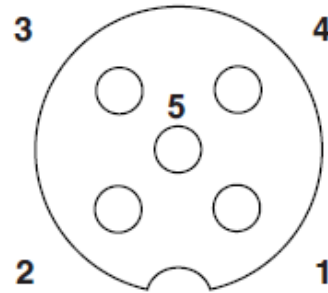
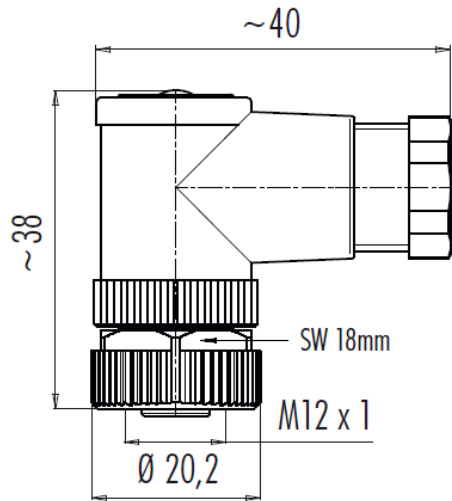
Product standard	M12-Connector acc. to DIN EN 61076-2-101
------------------	--

Creator: MANA2/PDP Released: IVSE1/PDP	Document: DB22260128EN Version: 05	Page 1 of 2
---	---------------------------------------	-------------

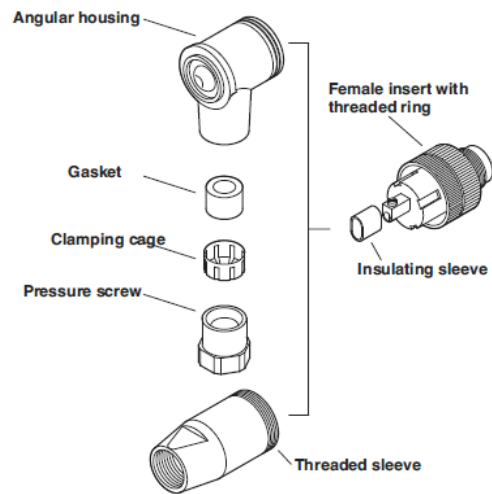
22260128	DATA SHEET	
Valid from: 12.09.2019	AB-C5-M12FA-PG7	

Drawings

Pin assignment



Assembly instruction



Application range

Automation, industrial machinery and plant engineering

Note

Photographs are not true to scale and do not represent detailed images of the respective products.

Creator: MANA2/PDP Released: IVSE1/PDP	Document: DB22260128EN Version: 05	Page 2 of 2
---	---------------------------------------	-------------