

Product End-of-Life Instructions

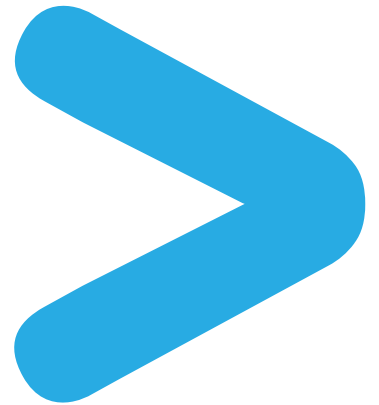
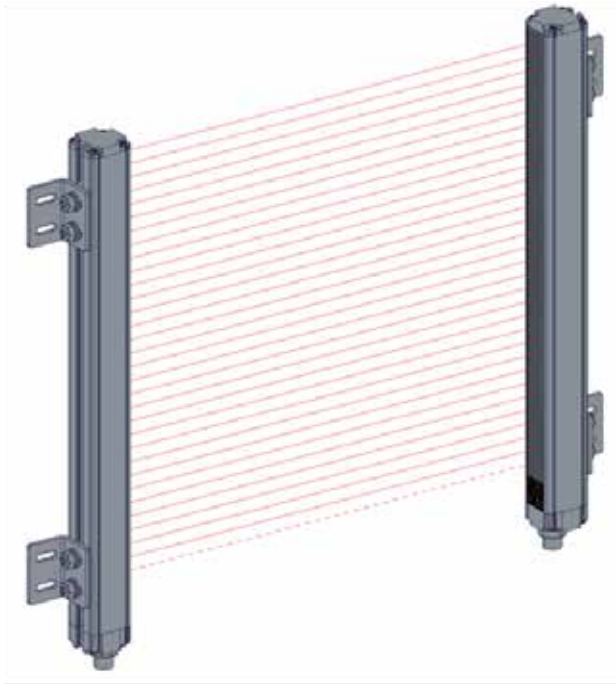
XUSL2E and XUSL4E Safety Light Curtains

Product Range

XUSL2E and XUSL4E Safety Light Curtains

Marketing Model

XUSL2E and XUSL4E



Size in mm:

H x L x D : 963 x 31 x 29.4

Weight (excluding packaging) in kg:

From 0.4 to 8.6 for XUSL2E and XUSL4E



Telemecanique

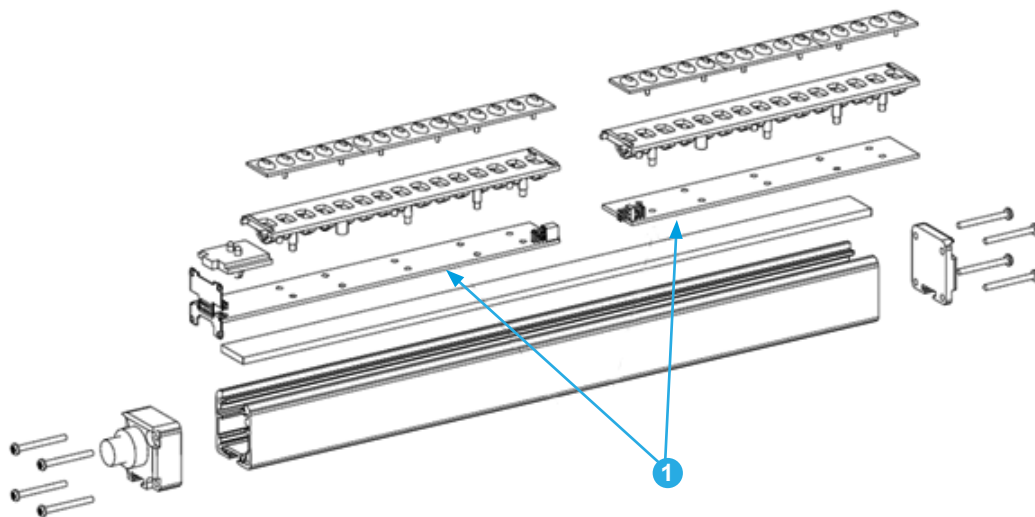
Sensors

Operations recommended for the end of life treatment

There are several steps to process the products at the end of life so as to recover components, materials or energy :

Reuse ⇒ Separation for special treatment ⇒ Other dismantling ⇒ Shredding

The components of the products that optimize the recycling performances are listed, identified and located hereunder.



Recommendation	Number on drawing	Components description	Weight (g)	Comment
Special treatment	1	Printed Circuit Board Assemblies	246	Declared weight is for XUSL4E30H091N

For more information please contact us at: global-green-sensors@schneider-electric.com.

Schneider Electric Industries SAS

35, rue Joseph Monier
CS30323
F - 92506 Rueil Malmaison Cedex

RCS Nanterre 954 503 439
Capital social 896 313 776 €
www.schneider-electric.com

The version of the Guide used to create the document: End of Life Instruction Drafting Guide of Schneider Electric version V1.

Publication : Schneider Electric