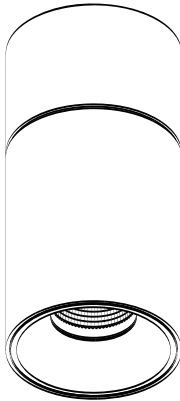
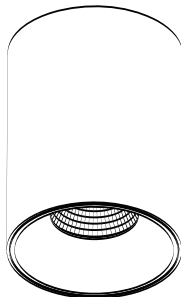


LED Surface Spot Selena

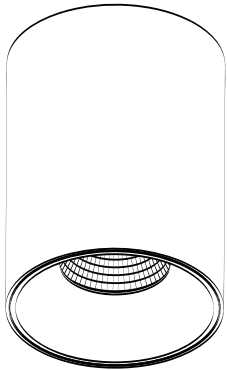
Item Code	CCT	kg
541003589600	3000K	0.226kg
541003589700	3000K	0.226kg
541003590000	3000K	0.216kg
541003590100	3000K	0.216kg
541003589800	4000K	0.226kg
541003589900	4000K	0.226kg
541003590200	4000K	0.216kg
541003590300	4000K	0.216kg
541003590400	3000K	0.380kg
541003590500	3000K	0.380kg
541003590600	4000K	0.380kg
541003590700	4000K	0.380kg
541003590800	3000K	0.380kg
541003590900	3000K	0.380kg
541003591000	4000K	0.380kg
541003591100	4000K	0.380kg



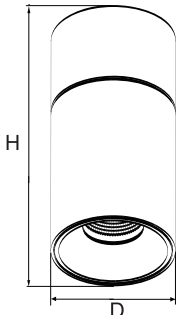
5W
Round Adjustable

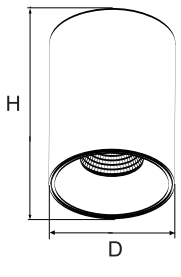


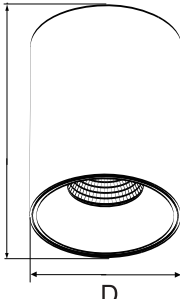
5W
Round Fixed



7W/12W Dim
Round Fixed













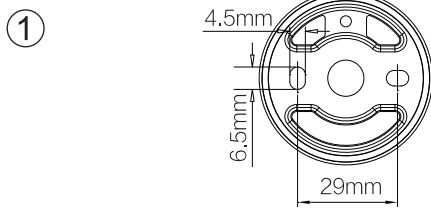
Type	H	D
LED Spot Round Adjustable 5W	114mm	55mm
LED Spot Round Fixed 5W	74mm	55mm
LED Spot Round Fixed 7/12W	101mm	75mm

Light Source

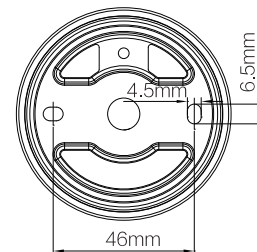
Product Code	Product Description	N	Light source code	QR Code	Energy Label
541003589600	LEDSpotRA-Selena-E 5W-930-55D-WH	1	LS074000522		
541003589700	LEDSpotRA-Selena-E 5W-930-55D-BL	1			
541003590000	LEDSpotRF-Selena-E 5W-930-55D-WH	1			
541003590100	LEDSpotRF-Selena-E 5W-930-55D-BL	1	LS074000525		
541003589800	LEDSpotRA-Selena-E 5W-940-55D-WH	1			
541003589900	LEDSpotRA-Selena-E 5W-940-55D-BL	1			
541003590200	LEDSpotRF-Selena-E 5W-940-55D-WH	1	LS074000722		
541003590300	LEDSpotRF-Selena-E 5W-940-55D-BL	1			
541003590400	LEDSpotRF-Selena-E 7W-DIM-930-55D-WH	1			
541003590500	LEDSpotRF-Selena-E 7W-DIM-930-55D-BL	1			

Light Source

541003590800	LEDSpotRF-Selena-E 12W-DIM-930-55D-WH	1	LS074001222		
541003590900	LEDSpotRF-Selena-E 12W-DIM-930-55D-BL	1			
541003591000	LEDSpotRF-Selena-E 12W-DIM-940-55D-WH	1	LS074001225		
541003591100	LEDSpotRF-Selena-E 12W-DIM-940-55D-BL	1			
541003590600	LEDSpotRF-Selena-E 7W-DIM-940-55D-WH	1	LS074000725		
541003590700	LEDSpotRF-Selena-E 7W-DIM-940-55D-BL	1			

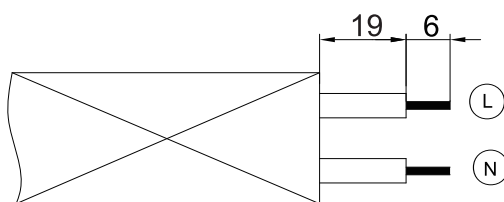


LED Spot 5W

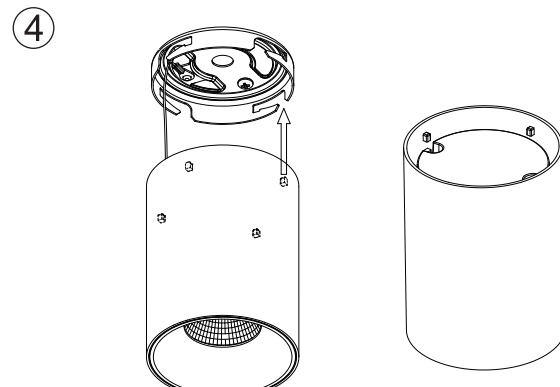
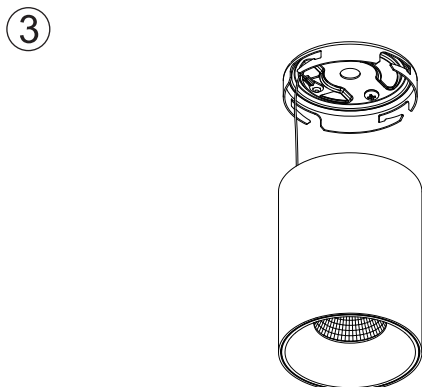
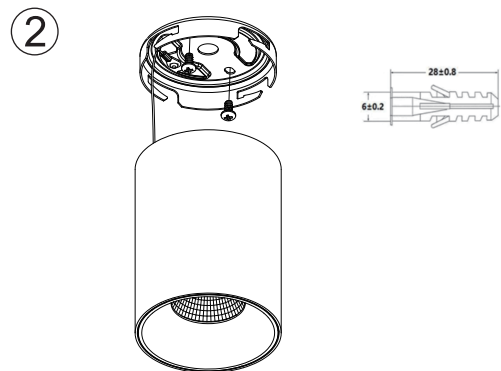


LED Spot 7/12W

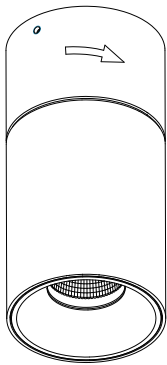
A suitable size of outlet box with internal 2-way terminal blocks which conform to EN60998-2-1 or EN60998-2-2 must be used, more specification about terminal block as below:
Screw terminal block with box, 450V 5A, 0.75-2.5mm².



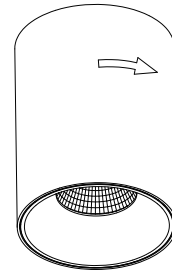
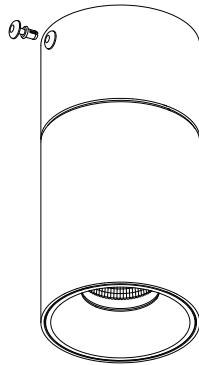
$2 \times 0.75\text{mm}^2$



5



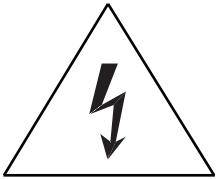
LED Spot RA 5W



LED Spot RF 5W
LED Spot RF 7/12W

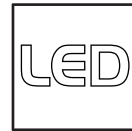
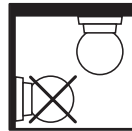
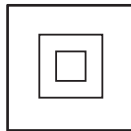
The external flexible cable or cord of this luminaire cannot be replaced; If the cord is damaged, the luminaire shall be destroyed.

Terminal block not included. Installation may require advice from a qualified person.



For non-user replaceable light sources.

The light source contained in this luminaire shall only be replaced by the manufacturer or his service agent or a similar qualified person.



Data subject to change
Les données sont sujettes à modifications
Änderungen vorbehalten

Suzhou Oppl Lighting Co.,Ltd.
215200
East Side, Fenyang Road,
Fenhu Economic Development Zone,
Wujiang City, Jiangsu Province,
P.R.China

OPPLE Lighting B.V.
Meerenakkerweg 1.07
5652 AR Eindhoven
The Netherlands
service@opple.com
www.opple.com

