



SLV WORKLIGHT

Brighten up the office
with the right light

SLV WORKLIGHT | FLOOR LIGHT



Light distribution: 50% indirect light (Up),
50% direct light (Down).



Daylight and motion sensor (PIR) reduces
light output after 30 minutes without motion
detection. After a further 30 minutes, the
light automatically switches off.

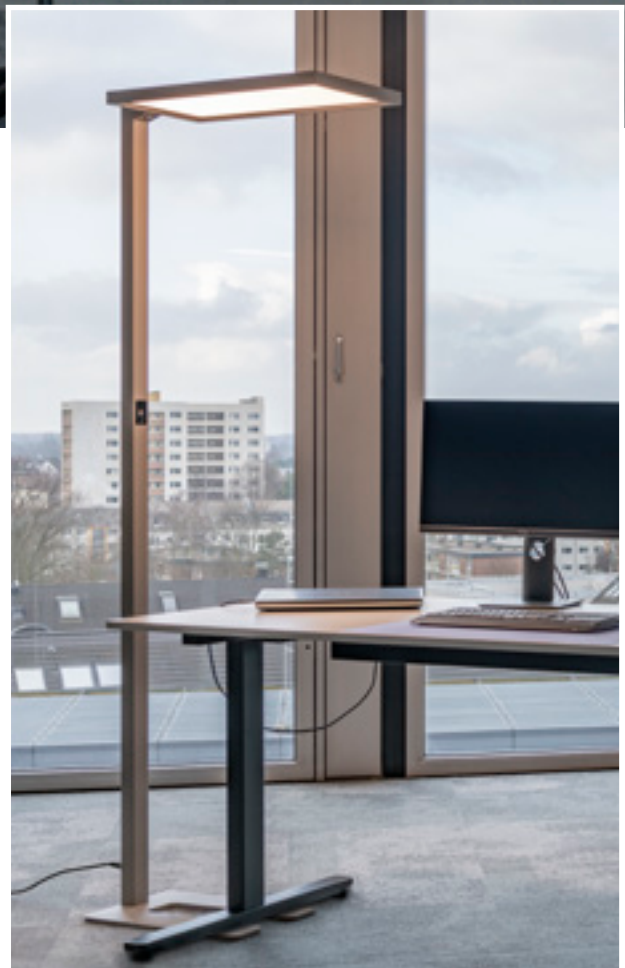


Touch dimmer directly on the light.



WORKLIGHT FL

Floor light, black
Art. no. 1005390



WORKLIGHT FL

Floor light, silver
Art. no. 1006343

SLV WORKLIGHT | TABLE LIGHT



WORKLIGHT TL

Table light, white
Art. no. 1005394

Light distribution:
50% indirect light (Up),
50% direct light (Down).



Daylight and motion sensor (PIR) reduces light output after 30 minutes without motion detection. After a further 30 minutes, the light automatically switches off.



Touch dimmer directly on the light.



The perfect solution for height-adjustable desks, without drilling.



Click here to see the SLV
WORKLIGHT product video

WORKLIGHT TL

Table light, black
Art. no. 1005392

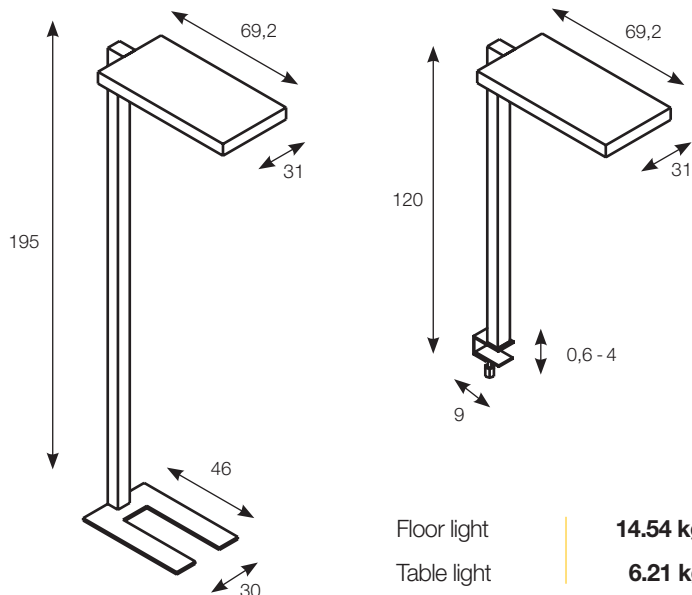


WORKLIGHT TL

Table light, silver
Art. no. 1006344

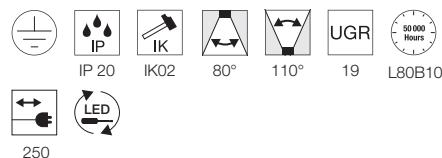
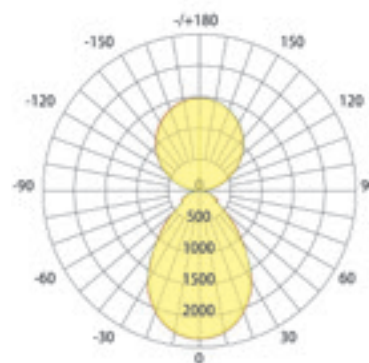
SLV WORKLIGHT | TABLE AND FLOOR LIGHT





Floor light **14.54 kg**
 Table light **6.21 kg**

LIGHT DISTRIBUTION CURVE



ARTICLE NUMBERS

Floor light	black	1005390
	weiß	1005391
	silver	1006343
Table light	black	1005392
	weiß	1005394
	silver	1006344

AREAS OF APPLICATION



Offices and co-working premises

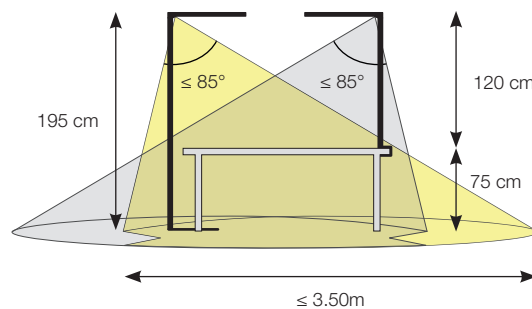


Home office



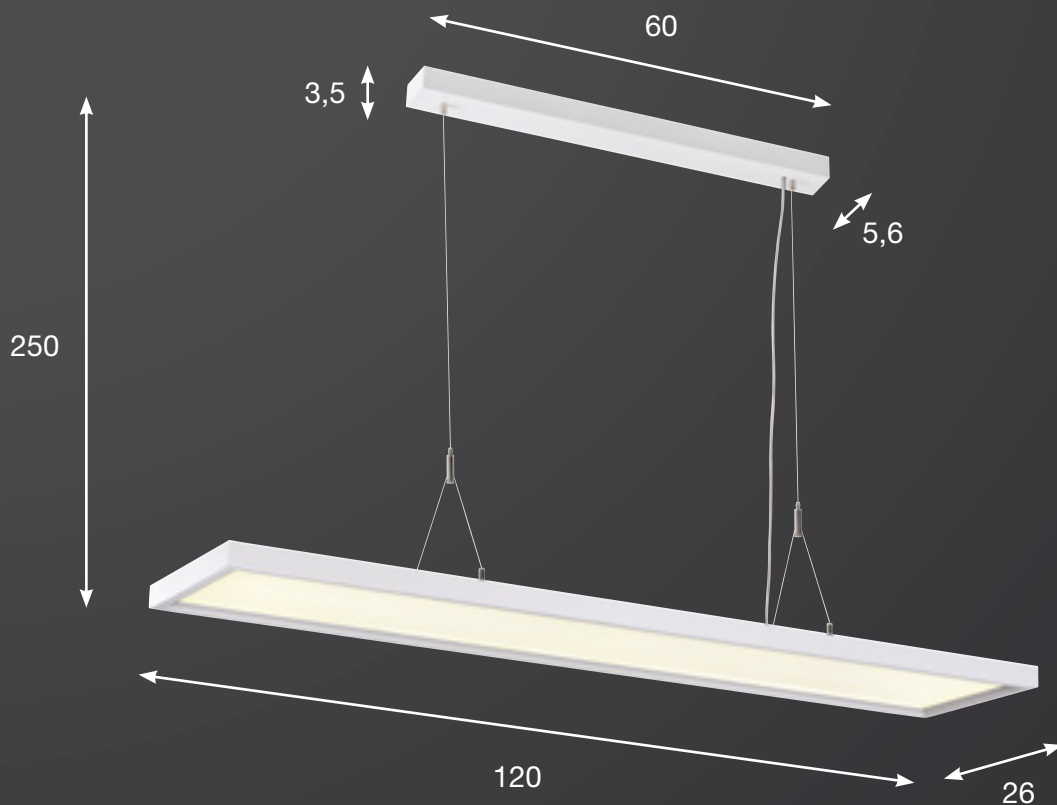
Educational facilities and meeting rooms

0		×	×
1		✓	×
2		✓	✓
3		×	✓



PRODUCT CHARACTERISTICS AT A GLANCE

Housing	Aluminium, powder-coated in RAL 9003 and RAL 7021
Control system	Daylight and motion sensor (PIR)
Luminous flux	7500lm (Up: 3800 lm - 80° / Down: 3800lm - 110°)
Colour temperature	4000K / neutral white
Colour rendering	CRI>80
Glare rating	UGR<19
Glare control	Cone prismatic shield
Supply voltage	200-240V, ~50/60Hz
Power consumption	79W
Lifespan	L80/B10 50.000h
Cable & plug	2.5m connector cable, Schuko plug and T12 plug available in black or white



DALI

UGR<19

5000lm

4000K

CRI>80

L80/B10
50.000h

WORKLIGHT PD, DALI

Pendant light, white
Art. no. 1005396



Light distribution:
60% indirect light (Up),
40% direct light (Down).

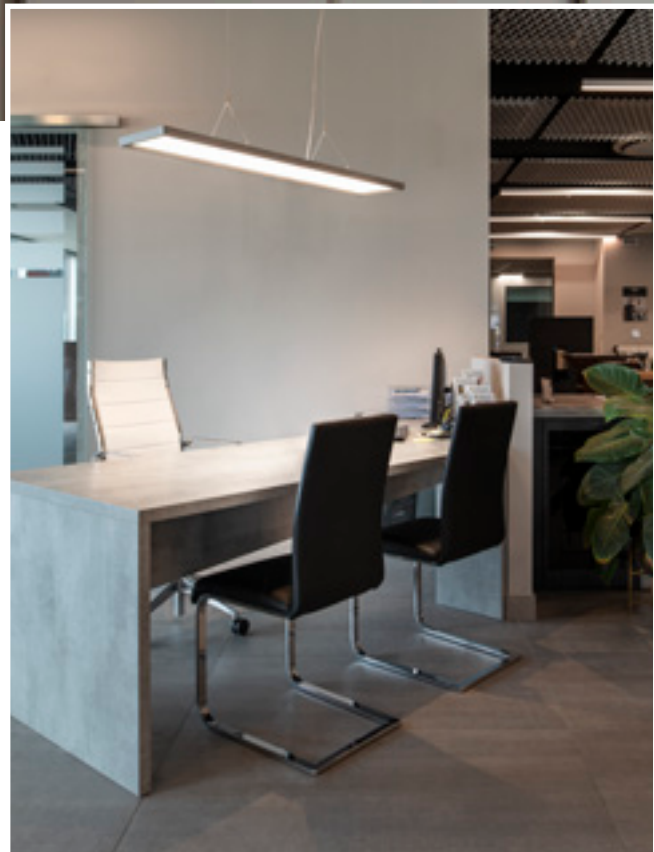


Suspended ceiling mounting (wire
rope connection), max. 2.5 m



WORKLIGHT PD, DALI

Pendant light, black
Art. no. 1005395

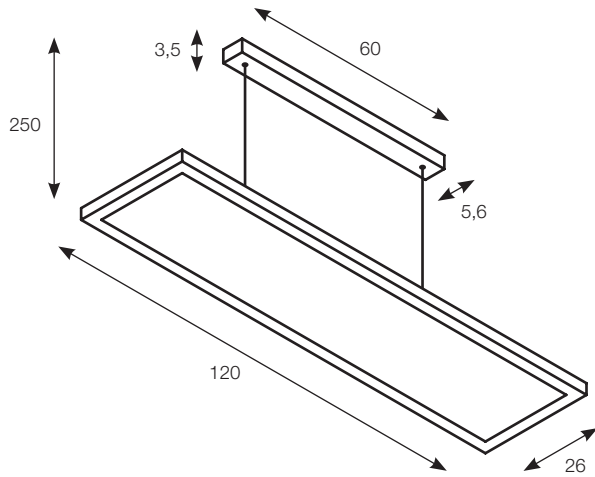


WORKLIGHT PD, DALI

Pendant light, silver
Art. no. 1006345

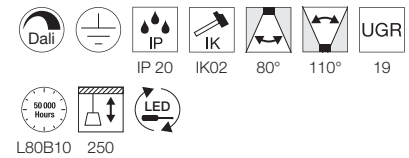
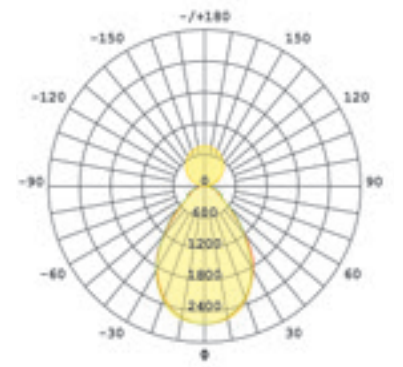
SLV WORKLIGHT | PENDANT LIGHT





Pendant light | **5,8 kg**

LIGHT DISTRIBUTION CURVE



ARTICLE NUMBERS

Pendant light	black	1005395
	white	1005396
	silver	1006345

AREAS OF APPLICATION



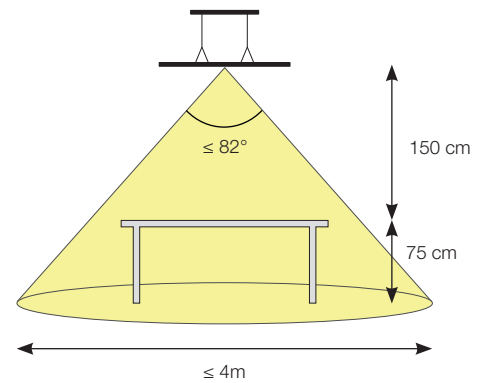
Offices and co-working premises



Home office



Educational facilities and meeting rooms



PRODUCT CHARACTERISTICS AT A GLANCE

Housing	Aluminium, powder-coated in RAL 9003 and RAL 7021
Control system	DALI, infinitely dimmable
Luminous flux	5000lm (Up: 3000 lm - 80°/ Down: 2000lm - 110°)
Colour temperature	4000K / neutral white
Colour rendering	CRI>80
Glare rating	UGR<19
Glare control	Cone prismatic shield
Supply voltage	200-240V, ~50/60Hz
Power consumption	57W
Lifespan	L80/B10 50.000h
Installation	Suspended ceiling mounting (wire rope connection), max. 2.5 m



Please note: The illustrations and information contained in this catalogue are for illustrative purposes only and are not legally binding in terms of colour, shape, design or technical details. All product descriptions and specifications are subject to alteration and errors.

We will be pleased to advise you.

Please contact info@slv.de
or +49 (0)2451 4833-333.



PRICE AND PERFORMANCE
IN PERFECT HARMONY



5 YEAR
WARRANTY*



HIGH DELIVERY PERFORMANCE
24h (GERMANY), 48h (EUROPE)



GERMAN
ENGINEERING



WE ARE YOUR WAREHOUSE
98% AVAILABILITY

*Please note the guarantee conditions available at slv.com

slv.com

