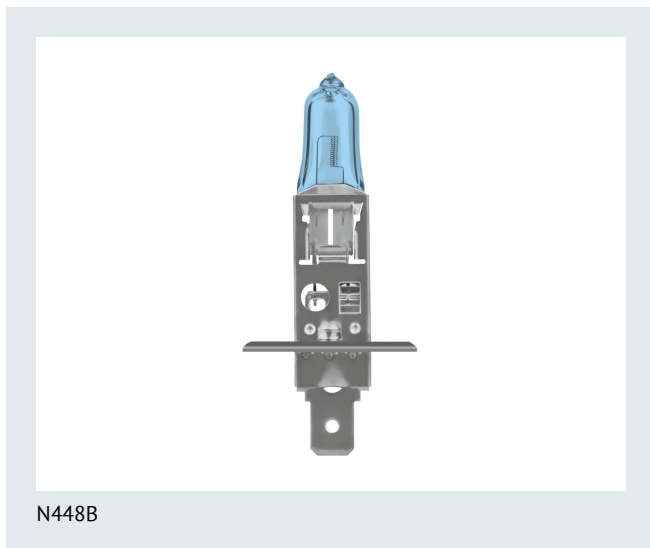




NEOLUX[®]
GERMAN TECHNOLOGY

Blue Light 55 W 12 V P14.5s

Car lamps from NEOLUX ensure the roads ahead are well-lit and visible to others.



N448B

Product family benefits

- Stylish appearance
- High contrast
- Better visibility
- Remarkable illumination
- Affordable

Product family features

- Bluish white light
- Xenon look
- Blue coating
- ECE certified lamps
- Good and reliable quality thanks to German technology

Areas of application

- Headlight



N448B



N448B-2SCB

Product information

Application (Category and Product specific)	Halogen headlight lamp
---	------------------------

Electrical data

Power input	68 W
Test voltage	13.2 V
Nominal wattage	55.00 W
Nominal voltage	12.0 V

Photometrical data

Color temperature	4000 K
Luminous flux	1550 lm
Luminous flux tolerance	±15 %

Dimensions & weight

Product weight	6.30 g
Length	67.0 mm
Diameter	9 mm

Lifespan

Lifespan Tc	250 h
Lifespan B3	150 h

Additional product data

Base (standard designation)	P14.5s
-----------------------------	--------

Capabilities

Technology	Halogen lamp
------------	--------------

Certificates & standards

ECE category	H1
British standard	448

Logistical data

Order reference	N448B
-----------------	-------

Environmental information

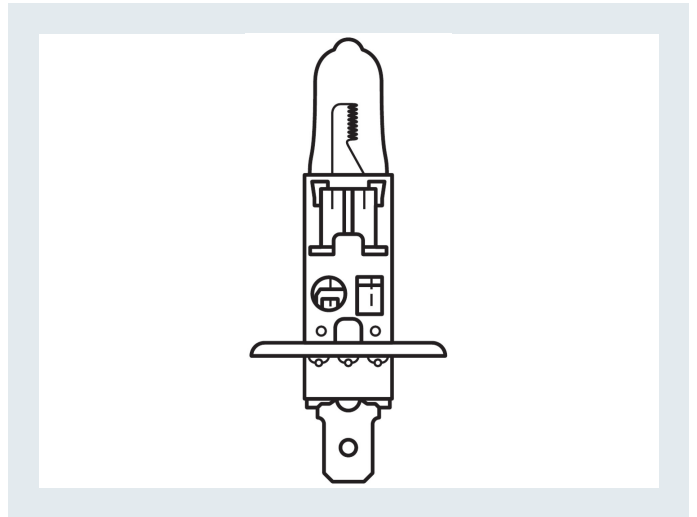
Date of Declaration	19-01-2022
Primary Article Identifier	4008321760395 4008321854995 4052899201408 4052899466388 4052899500914 4052899995659 4052899995376

Candidate List Substance 1	No declarable substances contained
----------------------------	------------------------------------

Declaration No. in SCIP database	In work
----------------------------------	---------

Packaging Information

Packaging description	EAN	Packaging type	Amount of article
N448B	4052899466388	Folding box	1
N448B-2SCB	4052899500914	Soft cover box	2



NEOLUX[®]
GERMAN TECHNOLOGY

NEOLUX Automotive Lighting
OSRAM GmbH

Marcel-Breuer-Str 6
80807 Munich, Germany

Phone +49 89 6213-0
Fax +49 89 6213-2020

www.neolux-lighting.com