

## SE NH00 (785 641)

- For indoor installations
- Protection against reconnection
- With "Nicht schalten" symbol [Do not close the circuit] acc. to national regulations (VBG 125)
- Insulating blade for NH fuse holders and distribution blocks



Figure without obligation

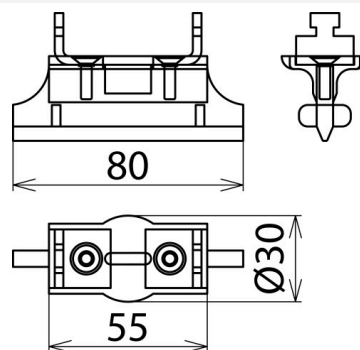


Figure without obligation

Type	SE NH00
Part No.	785 641
Nominal voltage (U <sub>N</sub> )	Up to 1000 V
Size	00
Blade	13 x 5 mm
Dimensions	80 mm
Standard	VBG 125 and DIN 40008
Use	For indoor installations
Weight	55 g
Customs tariff number	85369095
GTIN	4013364087897
PU	10 Stk

We reserve the right to introduce changes in performance, configuration and technology, dimensions, weights and materials in the course of technical progress. The figures are shown without obligation.