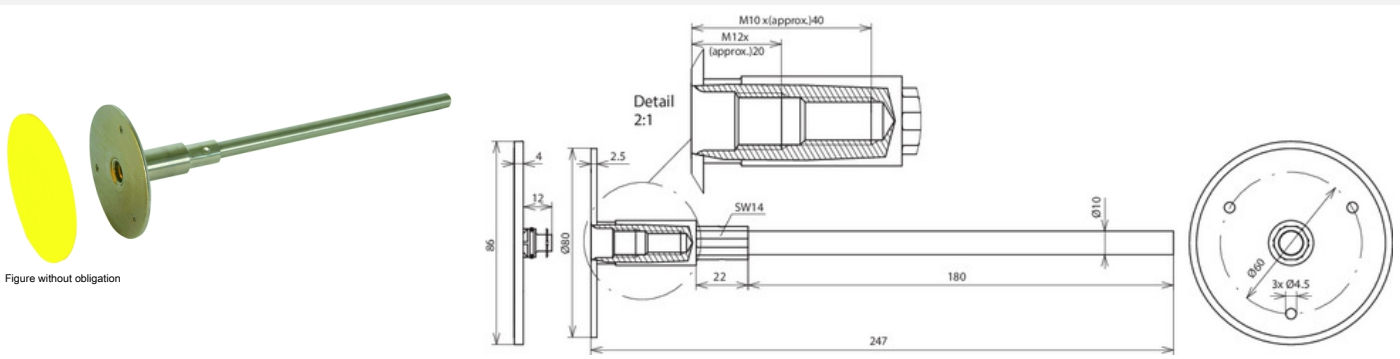


EFPM M10 12 V4A L245 VP V2A (478 049)



Type	EFPM M10 12 V4A L245 VP V2A
Part No.	478 049
Connection thread	M10 / M12
Material of plate	StSt (V4A)
Material No.	1.4571 / 1.4404 / 1.4401
Material of shaft	StSt
Connection plate Ø	80 mm
Dimensions of connecting shaft (Ø / length)	10 / 180 mm
Short-circuit current (AC 50 Hz / DC) (1 s; ≤ 300 °C)	3.3 kA
Minimum lengths of M10 screws	35 mm (thread length 40 mm)
Minimum lengths of M12 screws	15 mm (thread length 20 mm)
Standard	EN 62561-1
Approvals	UL 467
Weight	303 g
Customs tariff number	85389099
GTIN	4013364105164
PU	25 Stk

Part No. 478 049 with UL approval.

We reserve the right to introduce changes in performance, configuration and technology, dimensions, weights and materials in the course of technical progress. The figures are shown without obligation.