

# Product Data Sheet

## GW15377

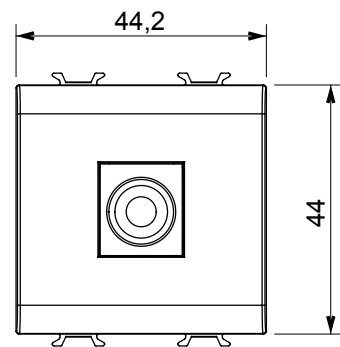
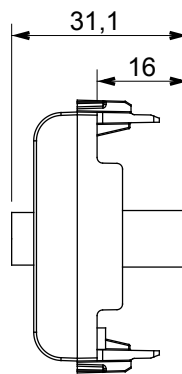
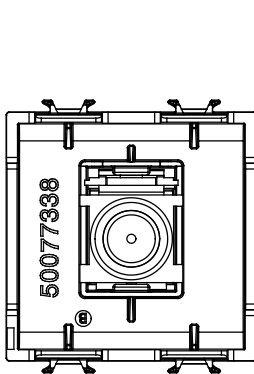
CHORUSMART - Domestic range



Wide range of control devices, sockets for power supply (conforming to national and international standards) signal pick-up, climate control, comfort management, technical alarm signalling and emergency lighting management. The ChoruSmart modular devices are available in five colours, glossy white, satin white, natural beige, satin black and lacquered titanium and in various sizes from 1/2, 1, 2 and 3 modules. Thanks to the mounting supports for rectangular, square and round boxes, endless combinations can be created with the ChoruSmart range of plates.

Category	TV/SAT socket-outlet	Description	Direct
Colour	Satin White	Attenuation	0 dB
Frequency	5-2400 MHz	Shielding	Class A
For connector type	F-Female	Standard	IEC 61169-24
No. modules	2	Cable fixing	Pressure-operated
Case	Plastic material body	Electrocod	0131
Material	Technopolymer		

### DIMENSIONAL



### STANDARDS/APPROVALS

