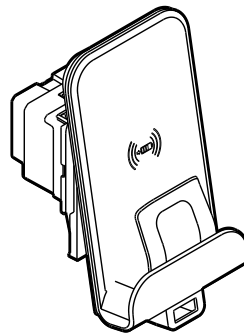


USB universal charger - 1000 mA induction + 2400 mA - Type A



1. USE

For recharging portable devices such as phones, smartphones, tablets, MP3 or MP4 players, loudspeakers, watches, game consoles, powerbanks.

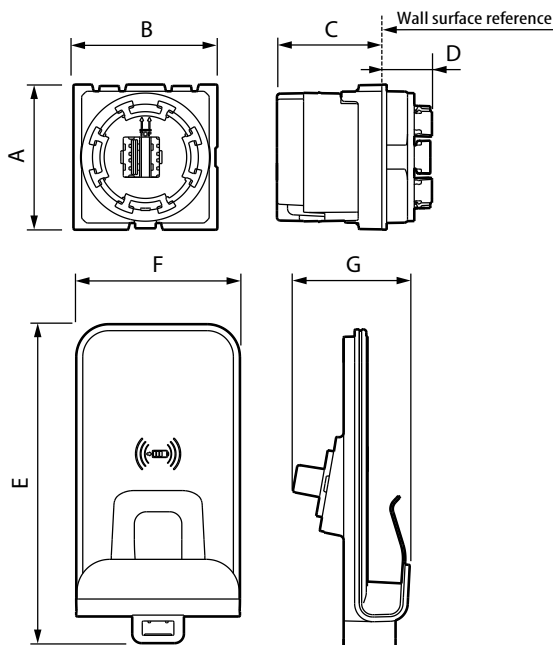
2. RANGE

Designation	Cat. No.
Double USB socket - 5 V \equiv - 2400 mA	<input type="checkbox"/> KW4286CW2
	<input type="checkbox"/> KM4286CW2
	<input type="checkbox"/> KG4286CW2

Colours code:

- White
- Sand
- Black

3. OVERALL DIMENSIONS (mm)



A	B	C	D	E	F	G
45	45	33	16	136	70	50

4. CONNECTION

Type of terminals: with screws
Terminal capacity: 2 x 2.5 mm²
Stripping length: 6 mm
Screwdriver: flat 3.5 mm

Recommended use: circuit terminal outlet

5. TECHNICAL CHARACTERISTICS

5.1 Mechanical characteristics

Impact tests: IK 04
Penetration by solid bodies/liquid: IP 40

5.2 Material characteristics

Material:
- Base: PC
- Cover plate: PC
- Halogen free
- UV resistant

Self-extinguishing:

+ 850° C / 30 s for insulating parts holding live parts in place.
+ 650° C / 30 s for other parts made of insulating materials.

5.3 Climatic characteristics

Storage temperature: - 20° C to + 70° C
Operating temperature: 0° C to + 45° C

5.4 Electrical characteristics

All values listed below are measured at an ambient temperature of + 25° and after 15 minutes of operation.

Nominal input voltage	220 - 240 V~
Nominal input frequency	50-60 Hz
Maximum input current	300 mA
Maximum power consumption in standby	0.1 W
Power average efficiency	81 %
Nominal output voltage	5 V \equiv
Maximum output current	2400 mA
Classe de consommation hors charge et niveau moyen d'efficacité: level VI*	
Safety-standard	EN60950-1
Protection class	II - Low voltage

*NB: European Regulation No. 278/2009 of 6 April 2009, Directive 2005/32/EC on eco-design requirements for AC/DC power supplies

USB universal charger - 1000 mA induction + 2400 mA - Type A

5. TECHNICAL CHARACTERISTICS *(continued)***■ 5.5 Average charging time for devices equipped with lithium ion polymer batteries:**

- 80 % charged < 1 h 15
- 100 % charged < 2 h 00

6. CLEANING

Surface cleaning with a cloth.

Do not use: acetone, tar remover, trichlorethylene.

Caution: A preliminary test should be carried out if specific cleaning products are to be used.

7. STANDARD AND APPROVALS

IEC 60950-1: low voltage directive.

IEC 62684 / EN 50558 conform to the interoperability specifications of common external power supply (EPS) for use with mobiles telephones.

Conform to eco design directive 2009/125/EC.