

## VK DB 6.20 8.10 FL30 BSB STBL (308 031)

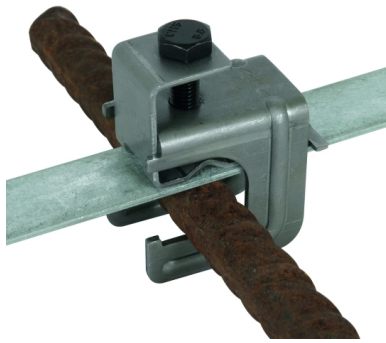
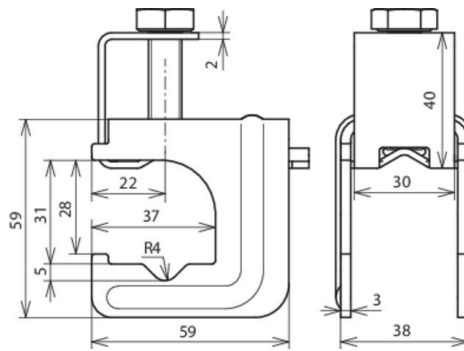


Figure without obligation



Arrangement:

Type	VK DB 6.20 8.10 FL30 BSB STBL
Part No.	308 031
Material	St/bare
Clamping range Rd / Rd	(+II) 6-20 / 8-10 mm
Clamping range Rd / Fl	(+II) 6-20 / 30 x 3-4 mm
Clamping range Fl / Fl	(+II) 30 x 3-4 / 30 x 3-4 mm
Screw	M10 x 35 mm
Material of screw	St/bare
Short-circuit current (a.c. 50 Hz / d.c.) (1 s; ≤ 300 °C)	8.4 kA
Lightning current carrying capability (10/350 μs)	50 kA <sup>*)</sup>
Standard	EN 62561-1
Weight	230 g
Customs tariff number	85389099
GTIN	4013364136571
PU	25 Stk

<sup>\*)</sup> For exact assignment see test certificate.

We reserve the right to introduce changes in performance, configuration and technology, dimensions, weights and materials in the course of technical progress. The figures are shown without obligation.