

# Motion detector, 230 V, 16 m, 180°, IP54, for surface mounting, white

350-20058

4 year warranty

This 1-channel outdoor motion detector is especially suitable for use in a driveway or garden. It was designed to be surface mounted on a wall or partition. The detection range can be set to between 0 and 16 m and can be adapted using the cover mask. The sensor is surface-mounted on the wall. The device has a built-in light sensor and switches the lighting on and off automatically. Manual operation is also possible using the N.C. push button (to be ordered separately). After the pre-set time delay, the light is switched off automatically. This motion detector has an IP54 protection degree and complies with the European directives for EMC and safety, EN 60669-2-1.

Finishing colour: white

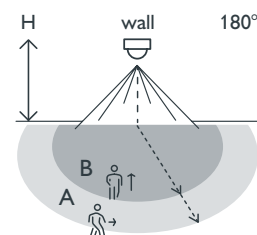
- Sustainable
- Functional
- Elegant
- Simple installation
- Energy saving
- Greater comfort
- Improved burglary protection
- Separate setting for the lux, the switch-off delay and the sensitivity

Motion detector for use in driveways, carports, gardens, etc.

- The outdoor motion detector is fitted with a built-in light sensor; the lighting only turns on if the detector detects motion in the detection range and the level of daylight is below the programmed lux value.
- The lighting remains on while motion is detected.
- The built-in time switch allows you to set the desired switch-off delay. The lighting will remain on throughout the disconnection time after the last movement has been detected.
- The sensor's lens can be covered with the cover mask provided, so you can divide the detection zone. The cover mask can be adapted according to the desired range.



## Detection range



H	A Across	B Towards
2 m	11 m	5.5 m
2.5 m	14 m	7 m
3 m	16 m	8 m

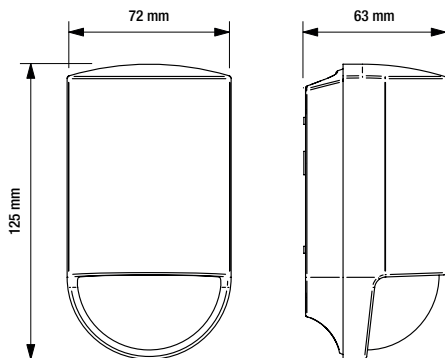


**niko**

## Technical data

Article number	350-20058
Input voltage	230 Vac $\pm$ 10 %, 50 Hz
Detector output	230 V (ON/OFF)
Maximum MCB rating	10 A (limited by national installation rules)
Relay contact	N.O. (max. 10 A)
Maximum load incandescent and halogen lamps ( $\cos\phi=1$ )	2300 W
Maximum load economy lamps (CFLi)	350 W
Maximum load LED lamps 230 V	350 W
Maximum capacitive load	140 $\mu$ F
Maximum switching current	165 A/20 ms – 800 A/200 $\mu$ s
Light intensity range	5 lux – $\infty$
Number of channels	1 channel
Switch-off delay	8 s – 30 min
Detection angle	180 °
Detection range (PIR)	16 m from a height of 3 m
Ambient temperature	-20 – +45 °C
Mounting method	surface mounting
Mounting height	2 – 3 m
Dimensions (HxWxD)	125 x 72 x 63 mm
Protection degree	IP54
Marking	CE

## Dimensions



## Wiring diagram

