

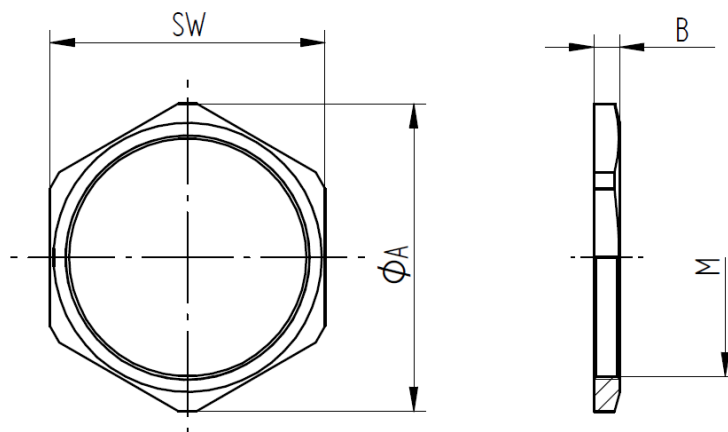
52032517	DATA SHEET	
Valid from: 31.03.2021	SKINDICHT® SM INOX	

The SKINDICHT® SM INOX is a chromium nickel steel hexagonal counter nut. It is suitable for applications under tough conditions, e.g. in the pharmaceutical, petrochemical industry (aggressive media) as well as offshore and food area. Counter nuts are required in cases if glands have to be countered or thin housings allowing only through-holes.



Technical features:

Material	Stainless steel 1.4305 (V2A)
Sizes	PG 7 up to PG36 acc. to DIN EN 60423
Temperature range	-60°C up to +200°C



Artikel Nummer	Größe PG (M)	SW [mm]	B [mm]	ØA [mm]
52032517	7	15	3,5	16,6
52032559	11	22	3,5	24,5
5203254	13,5	24	4	26,5
52032555	16	27	4	30
52032556	21	32	4,5	35,5
52032557	29	41	5,5	45
52032558	36	55	6	61

For more information please see our current catalogue. Please do not hesitate to contact our laboratory if there are any questions regarding resistance against aggressive agents and special oil.

Creator: MASC10/PDP Released: DAMU1/PDP	Document: DB52032517EN Version: 00	Page 1 of 1
--------------------------------------------	---------------------------------------	-------------