

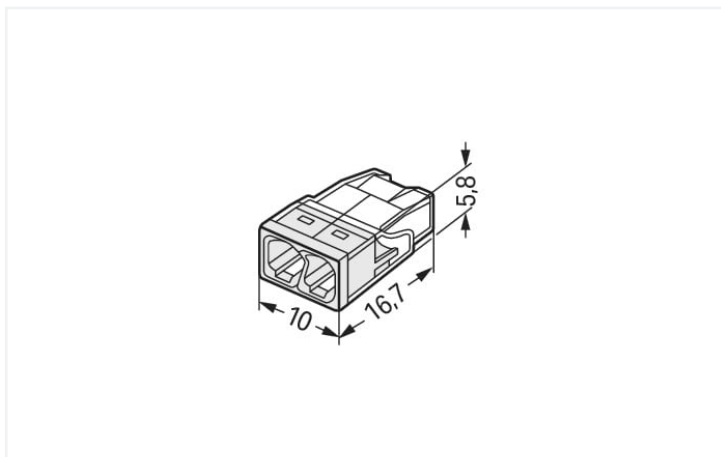
## Data Sheet | Item Number: 2273-202

PUSH WIRE® splicing connector; for solid conductors; max. 2.5 mm<sup>2</sup>; 2-conductor;  
transparent housing; white cover; Surrounding air temperature: max 60°C (T60);  
2,50 mm<sup>2</sup>; transparent

<https://www.wago.com/2273-202>



Color:  transparent



Dimensions in mm

### Advantages:

- Convenient wiring via extremely compact design
- Push-in termination of up to eight solid conductors
- Cross-section range: 0.5 ... 2.5 mm<sup>2</sup>
- Any combination of conductor sizes is possible
- PUSH WIRE® connection terminates solid ("s") copper conductors

### Notes

Safety management note

**NOTICE: Observe installation and safety instructions!**

- **Only to be used by electricians!**
- Do not work under voltage/load!
- Use only for proper use!
- Observe national regulations/standards/guidelines!
- Observe technical specifications for the products!
- Observe the number of permissible potentials!
- Do not use damaged/dirty components!
- Observe conductor types, cross-sections and strip lengths!
- Insert conductor until it hits the product's backstop!
- Use original accessories!

**To be sold only with installation instructions!**

Safety Information

in grounded power lines

## Electrical data

Ratings per	IEC/EN 60998			Approvals per	UL 486C		
Overvoltage category	III	III	II	Use group	B	C	D
Pollution degree	3	2	2	Rated voltage	-	-	-
Nominal voltage	-	-	450 V	Rated current	-	-	-
Rated surge voltage	-	-	4 kV				
Rated current	-	-	24 A				

## Connection data

Clamping units	2			
Total number of potentials	1			
				<b>Connection 1</b>
				Connection technology
				PUSH WIRE®
				Actuation type
				Push-in
				Connectable conductor materials
				Copper Aluminum
				Connectable conductor materials (note)
				<b>Terminating Aluminum Conductors</b> WAGO Spring-Clamp Terminal Blocks are suitable for solid aluminum conductors up to 4 mm <sup>2</sup> /12 AWG if WAGO "Alu-Plus" Contact Paste <a href="#">249-130</a> is used for termination.  "Alu-Plus" Contact Paste Advantages:  <ul style="list-style-type: none"> <li>• Automatically destroys the oxide film during clamping.</li> <li>• Prevents fresh oxidation at the clamping point.</li> <li>• Prevents electrolytic corrosion between aluminum and copper conductors (in the same terminal block).</li> <li>• Provides long-term protection against corrosion.</li> </ul> For spring pressure connections with PUSH WIRE® connection technology, <b>WAGO recommends that the aluminum conductor first be cleaned</b> and then immediately inserted into the clamping unit filled with "Alu-Plus" contact paste.  It is also possible to apply WAGO "Alu-Plus" <b>additionally</b> on the whole surface of the aluminum conductor before termination.  Please note that the nominal currents must be adapted to the reduced conductivity of the aluminum conductors: 2.5 mm <sup>2</sup> = 16 A 4 mm <sup>2</sup> = 22 A
				Solid conductor
				0.5 ... 2.5 mm <sup>2</sup> / 20 ... 16 AWG
				Strip length
				11 mm / 0.43 inches
				Wiring direction
				Side-entry wiring

## Physical data

Width	10 mm / 0.394 inches
Height	5.8 mm / 0.228 inches
Depth	16.7 mm / 0.657 inches

## Material data

Note (material data)

[Information on material specifications can be found here](#)

Color	transparent
Cover color	white
Material group	IIIa
Insulation material (main housing)	Polycarbonate (PC)
Flammability class per UL94	V2
Clamping spring material	Chrome-nickel spring steel (CrNi)
Contact material	Electrolytic copper (E <sub>Cu</sub> )
Contact Plating	Tin
Fire load	0.022 MJ
Weight	0.7 g

## Environmental requirements

Ambient temperature (operation)	+60 °C
Continuous operating temperature	105 °C
Temperature marking per EN 60998	T60

## Commercial data

Product Group	7 (Push Wire Conn.)
eCl@ss 10.0	27-14-11-04
eCl@ss 9.0	27-14-11-04
ETIM 9.0	EC000446
ETIM 8.0	EC000446
PU (SPU)	1000 (100) pcs
Packaging type	Box
Country of origin	DE
GTIN	4050821027843
Customs tariff number	85369010000

## Environmental Product Compliance

RoHS Compliance Status	Compliant, No Exemption
------------------------	-------------------------

## Approvals / Certificates

### General approvals



Approval	Standard	Certificate Name
cULus_Listed_667F Underwriters Laboratories Inc.	UL 486C	E69654
VDE VDE Prüf- und Zertifizie- rungsinstitut	EN 60998	40029794

### Declarations of conformity and manufacturer's declarations

Approval	Standard	Certificate Name
EU-Declaration of Confor- mity WAGO GmbH & Co. KG	-	-
UK-Declaration of Confor- mity WAGO GmbH & Co. KG	-	-

Approvals for marine applications



Approval	Standard	Certificate Name
ABS American Bureau of Ship- ping	-	15-HG1419918-PDA
DNV GL Det Norske Veritas, Ger- manischer Lloyd	EN 60998	TAE000015T
LR Lloyds Register	EN 60998	LR22207029TA

Downloads

Environmental Product Compliance

Compliance Search
Environmental Product Compliance 2273-202

Documentation

Bid Text			
2273-202	19.02.2019	xml 3.17 KB	
2273-202	17.05.2017	doc 24.50 KB	
ausschreiben.de 2273-202			

CAD/CAE-Data

CAD data
2D/3D Models 2273-202

CAE data
EPLAN Data Portal 2273-202
WSCAD Universe 2273-202
ZUKEN Portal 2273-202

## 1 Compatible Products

### 1.1 Optional Accessories

#### 1.1.1 General accessories

##### 1.1.1.1 Moisture protection



**Item No.: 207-1331**

Gelbox; Branch; for cables; with gel; 221, 2x73 Series; max. 4 mm<sup>2</sup> connectors; without splicing connectors; Size 1; gray

**Item No.: 207-1332**

Gelbox; Branch; for cables; with gel; 221, 2x73 Series; max. 4 mm<sup>2</sup> connectors; without splicing connectors; Size 2; gray

**Item No.: 207-1333**

Gelbox; Branch; for cables; with gel; 221, 2x73 Series; max. 4 mm<sup>2</sup> connectors; without splicing connectors; Size 3; gray

### 1.1.2 Mounting adapter

#### 1.1.2.1 Mounting accessories



**Item No.: 2273-500**

Mounting carrier; for single- and double-row con.; 2273 Series; for DIN-35 rail mounting/screw mounting; orange

### 1.1.3 Tool

#### 1.1.3.1 "Alu-Plus" contact paste

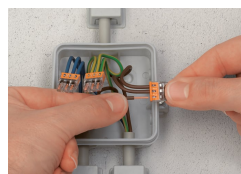


**Item No.: 249-130**

Syringe; Contents: 20 ml Alu-Plus contact paste

## Installation Notes

### Conductor termination



Strip solid conductor to 11 mm/0.43 inch (see marking).

The transparent housing shows if conductors are fully inserted; within the colored base, a clear port shows if the conductor's strip length is correct. Conductors are correctly stripped if the clear port shows no bare conductor on the unprinted connector side. Picture shows center conductor with exceeded strip length.

Termination: Insert the stripped solid conductor until it hits the backstop.

Removal: Hold conductor to be removed and twist alternately left and right while pulling the connector.

Testing



Testing via test port opposite to conductor entry.