



# Ledinaire StreetLight

## BRP056 LED53/730 PSU 42W SLF CE

Ledinaire StreetLight, Road & street light, 42 W, 4606 lm, 3000 K, CRI70, Safety class II, IP65, SRG4-4

Ledinaire Streetlight has been designed with Led transition in mind. Whether to refurbish old HID lanterns, or on a new country street, where you want citizens to feel safe. Ledinaire Streetlight offers simple benefits and reliable performance

### Product data

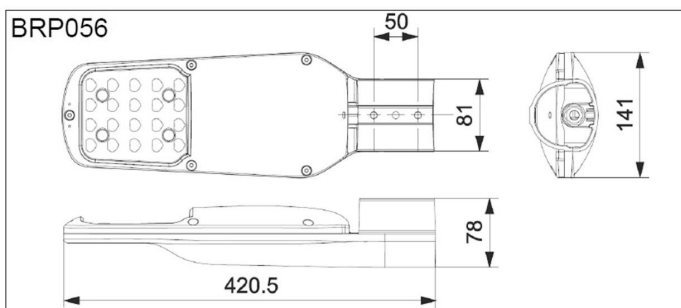
General Information		Effective projected area	
Lamp family code	LED53 [LED module 5300 lm]	Effective projected area	0.06 m <sup>2</sup>
Light source replaceable	No	Operating and Electrical	
Number of gear units	1 unit	Input Voltage	220/240 V
Driver included	Yes	Line Frequency	50 or 60 Hz
Light source engine type	LED	Inrush current	1.1 A
Lighting Technology	LED	Inrush time	10.5 ms
Value ladder	Value	Power Consumption	42 W
Warranty period	3 years	Power Factor (Fraction)	0.95
Sustainability rating	-	Connection	-
		Cable	Cable 0.5 m without plug
		Number of products on MCB of 16 A type B	56
		Protection class IEC	Safety class II
		Surge Protection (Common/Differential)	Luminaire surge protection level until 4 kV differential mode and 4 kV common mode
		Controls and Dimming	
		Dimmable	No
		Driver/power unit/transformer	Power supply unit (On/Off)

## Ledinaire StreetLight

Constant light output	No
Maximum dim level	Not applicable
<b>Mechanical and Housing</b>	
Housing Material	Aluminium pressure die cast
Reflector material	-
Optic material	Polycarbonate
Optical cover material	Polycarbonate
Fixation material	Aluminum
Housing Color	Dark gray
Mounting device	Side-entry for diameter 48 to 60 mm
Optical cover shape	Curved
Optical cover finish	Clear
Overall length	421 mm
Overall width	141 mm
Overall height	78 mm
Dimensions (Height x Width x Depth)	78 x 141 x 421 mm
Ingress protection code	IP65 [Dust penetration-protected, jet-proof]
Mech. impact protection code	IK07 [2 J reinforced]
Standard tilt angle posttop	-
Standard tilt angle side entry	0°
Optical cover type	Polycarbonate
Net Weight (Piece)	1.500 kg
<b>Approval and Application</b>	
Flammability mark	-
CE mark	Yes
ENEC mark	-
Photobiological risk	Photobiological risk group 1 @200mm to EN62778

Photobiological risk specification	4 m
EU RoHS compliant	Yes
Performance ambient temperature Tq	25 °C
Ambient temperature range	-30 to +40 °C
<b>Initial Performance (IEC Compliant)</b>	
Luminous flux tolerance	+/-7%
Initial chromaticity	(0.4333 / 0.4017) SDCM 5
Power consumption tolerance	+/-10%
Init. Color Rendering Index Tolerance	+/-2
Standard Deviation of Colour Matching (McAdam ellipse)	SDCM≤5
<b>Over Time Performance (IEC Compliant)</b>	
Control gear failure rate at median useful life 50000 h	10 %
Lumen maintenance (EN-IEC 62722-2-1) at median useful life* 50000 h	L80
<b>Product Data</b>	
Order product name	BRP056 LED53/730 PSU 42W SLF CE
Full product name	BRP056 LED53/730 PSU 42W SLF CE
Full product code	871951451212299
Order code	919515814269
Material Nr. (12NC)	919515814269
Numerator - Quantity Per Pack	1
EAN/UPC - Product/Case	8719514512122
Numerator - Packs per outer box	4
EAN/UPC - Case	8719514511521

## Dimensional drawing



# Ledinaire StreetLight

