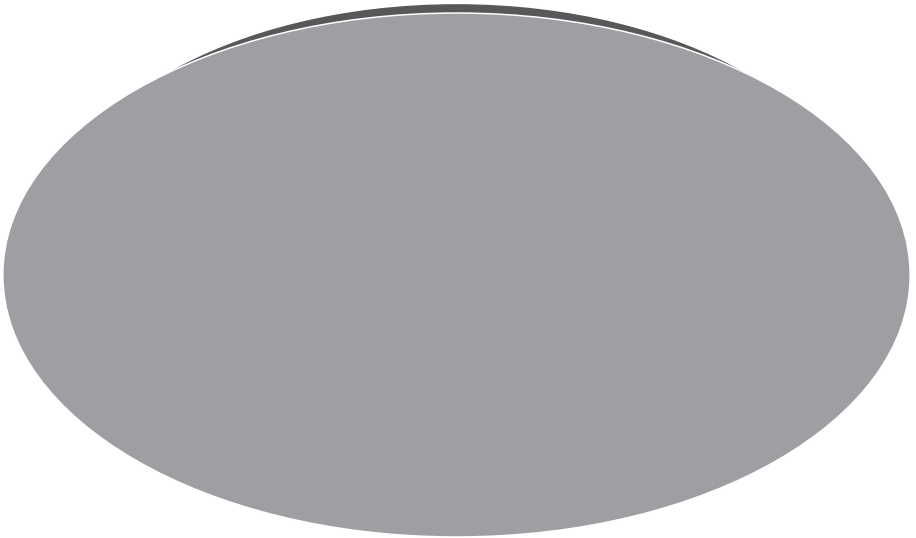
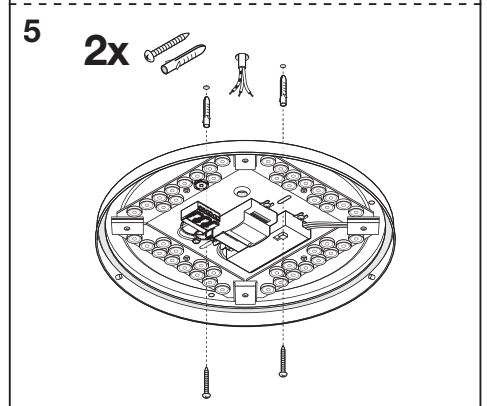
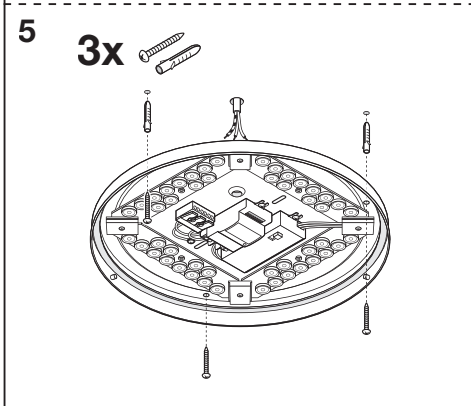
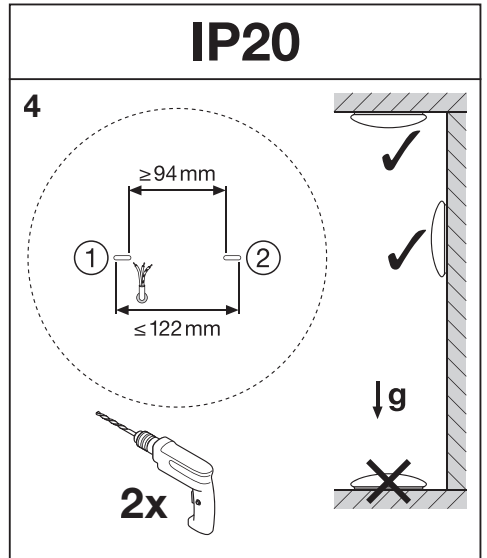
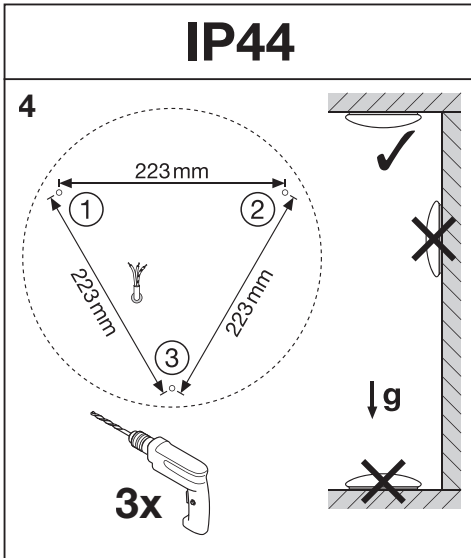
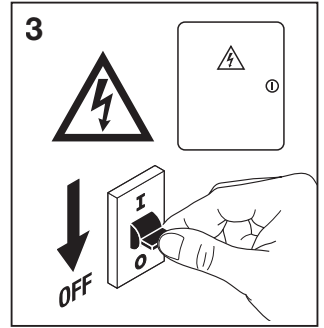
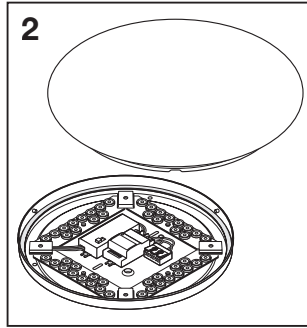
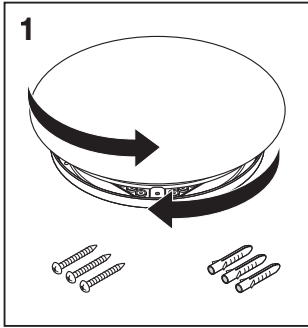

SURFACE CIRCULAR 350 3CCT

SURFACE CIRCULAR 350 SENSOR 3CCT

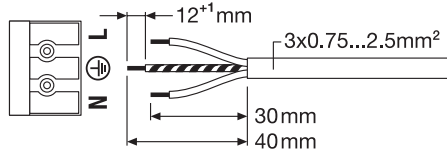
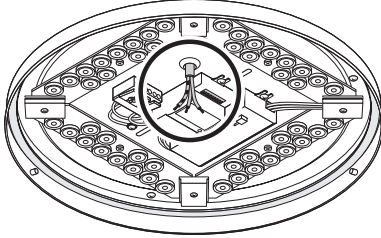


	EAN	Ø x h [mm]	W	V _{AC}	Hz	lm	lm/W	K
SF CIRC 350 V 18W 3CCT IP44	4099854042072	350 x 75	18	220-240	50/60	1440	80	3000/ 4000/5000
SF CIRC 350 SEN V 18W 3CCT IP44	4099854042096	350 x 75	18	220-240	50/60	1440	80	3000/ 4000/5000

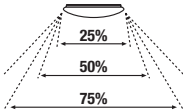
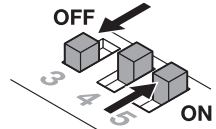
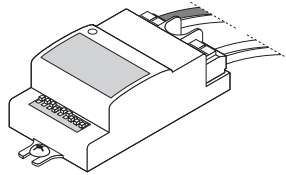
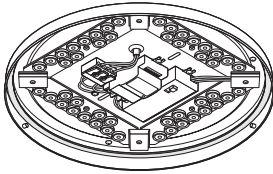
	EAN	IP	IK	∇	R _a	⊖ (°C)	PF	👤
SF CIRC 350 V 18W 3CCT IP44	4099854042072	44	03	120°	> 80	-20...+45	> 0.7	0.6kg
SF CIRC 350 SEN V 18W 3CCT IP44	4099854042096	44	03	120°	> 80	-20...+45	> 0.7	0.6kg



6



SURFACE CIRCULAR 350 SENSOR 3CCT



Detection Area

1	2	3	
ON	ON	ON	100 %
-	ON	ON	75 %
ON	-	ON	50 %
-	-	ON	25 %
-	-	-	10 %



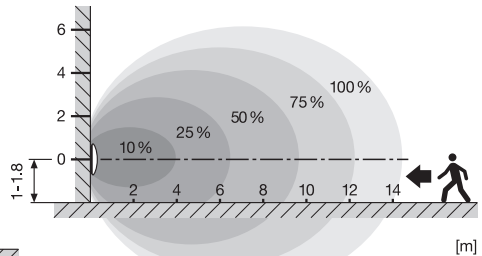
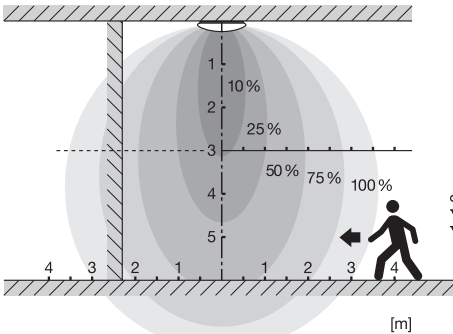
Hold Time

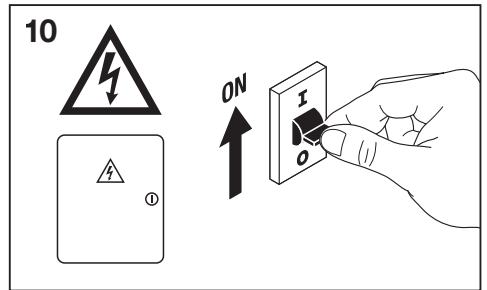
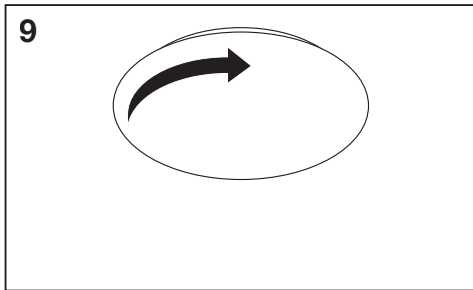
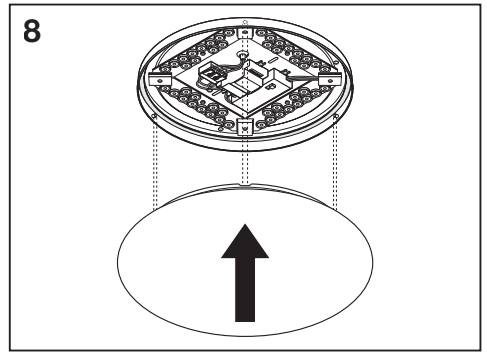
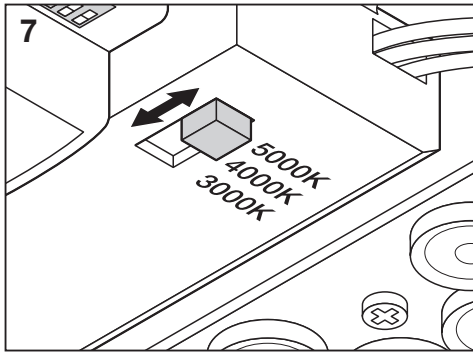
4	5	6	
ON	ON	ON	5 s
-	ON	ON	30 s
ON	-	ON	90 s
-	-	ON	3 min
ON	ON	-	20 min
-	-	-	30 min



Daylight Sensor

7	8	9	
ON	ON	ON	2 LUX
ON	ON	-	10 LUX
-	ON	-	25 LUX
ON	-	-	50 LUX
-	-	-	Disable





	EAN	Ø x h [mm]
SF CIRCULAR 350 3CCT COVER	4099854064357	350 x 65

	C10 A 	B16 A 	C16 A
SF CIRC 350 V 18W 3CCT IP44	83x	104x	133x
SF CIRC 350 SEN V 18W 3CCT IP44			



FR
Cet appareil et ses accessoires se recyclent

À DÉPOSER EN MAGASIN
OU
À DÉPOSER EN DÉCHÈTERIE

Points de collecte sur www.quefairedemesdechets.fr



LEDVANCE GmbH
Steinerne Furt 62
86167 Augsburg, Germany
www.ledvance.com

C10449057
G11159618
20.03.23

© LEDVANCE Ltd, Aquila House
Delta Crescent, Westbrook, Warrington
WA5 7NR, United Kingdom