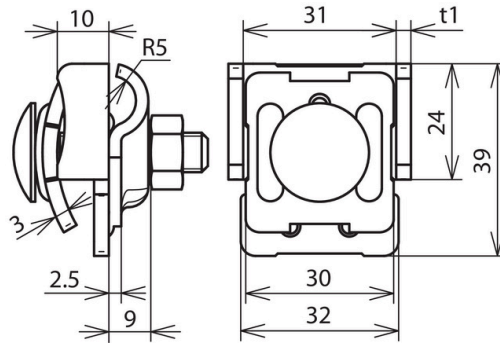


FK KB 6.10 KBF0.7 8 CU (365 037)



Figure without obligation



Arrangement:

Type	FK KB 6.10 KBF0.7 8 CU
Part No.	365 037
Clamping range of seam	0.7-8 mm
Material of clamp	Cu
Material thickness (t1)	3 mm
Clamping range Rd	6-10 mm
Screw	M8 x 35 mm
Material of screw / nut	StSt
Lightning current carrying capability (10/350 µs)	/ *)
Standard	EN 62561-1
Weight	103 g
Customs tariff number	85389099
GTIN	4013364046900
PU	50 Stk

*) For exact assignment see test certificate.

We reserve the right to introduce changes in performance, configuration and technology, dimensions, weights and materials in the course of technical progress. The figures are shown without obligation.