

NH fuse-links gG 500VAC

middle indicator/live gripping-lugs size 4, 4a

LOW VOLTAGE IEC FUSES

IEC NH FUSE-LINKS



The NH system is classified among plug-in fuse systems and is composed of:

- fuse-base (possibly including terminal covers and phase barriers)
- fuse-link with blade contact
- fuse-link replacement device (LV HRC fuse puller)

Since the design of this system cannot guarantee non-interchangeability of rated current it must be handled by a qualified professional.

Type “gG” NH fuse-links are full range breaking capacity fuse-links and are used to protect cables and equipment. They can interrupt any current surge, from the lowest fusing current up to their breaking capacity, and so can be used alone as protection. They also protect electrical devices and industrial set-ups from the electrodynamic effects of very high short-circuit currents.

TECHNICAL DATA OVERVIEW

| | |
|----------------------|-----------------------|
| Voltage AC | 500 VAC |
| Voltage DC | 250 VDC |
| Ampere Range (A) | 400 ... 1600 A |
| Size per Standard | 4, 4a |
| Speed/Characteristic | gG |
| I.R. AC (IEC) | 120 kA |
| I.R. DC (IEC) | 70 kA |
| Body Material | ceramic |
| Contact Materials | copper, silver-plated |

FEATURES & BENEFITS

- Dimensions in accordance with DIN 43 620
- Live tags
- Middle indicator
- 0% cadmium

APPLICATIONS

- gG: General purpose (protection of cables and LV-networks)

STANDARDS

- IEC/EN 60269-1 and -2
- VDE 0636 Part 201



NH fuse-links gG 500VAC

middle indicator/live gripping-lugs size 4, 4a

PRODUCT RANGE



NH4GG50V400

Size 4 gG 500VAC middle indicator

| Catalog number | Item number | Rated voltage AC (IEC) | Rated voltage DC (IEC) | Rated current I _n | Power dissipation at I _n | Width | Package | Weight |
|----------------|-------------|------------------------|------------------------|------------------------------|-------------------------------------|--------|---------|--------|
| NH4GG50V400 | K1054283 | 500 V | 250 V | 400 A | 31.5 W | 100 mm | 1 | 2.1 kg |
| NH4GG50V500 | L1054284 | 500 V | 250 V | 500 A | 38 W | 100 mm | 1 | 2.1 kg |
| NH4GG50V630 | M1054285 | 500 V | 250 V | 630 A | 46 W | 100 mm | 1 | 2.1 kg |
| NH4GG50V800 | N1054286 | 500 V | 250 V | 800 A | 62 W | 100 mm | 1 | 2.1 kg |
| NH4GG50V1000 | P1054287 | 500 V | 250 V | 1000 A | 73.5 W | 100 mm | 1 | 2.1 kg |
| NH4GG50V1250 | Q1054288 | 500 V | 250 V | 1250 A | 87 W | 100 mm | 1 | 2.1 kg |



NH4AGG50V400

Size 4a gG 500VAC middle indicator

| Catalog number | Item number | Rated voltage AC (IEC) | Rated voltage DC (IEC) | Rated current I _n | Power dissipation at I _n | Width | Package | Weight |
|----------------|-------------|------------------------|------------------------|------------------------------|-------------------------------------|--------|---------|---------|
| NH4AGG50V400 | R1054289 | 500 V | 250 V | 400 A | 34 W | 100 mm | 1 | 2.58 kg |
| NH4AGG50V500 | S1054290 | 500 V | 250 V | 500 A | 42.5 W | 100 mm | 1 | 2.58 kg |
| NH4AGG50V630 | T1054291 | 500 V | 250 V | 630 A | 53 W | 100 mm | 1 | 2.58 kg |
| NH4AGG50V800 | V1054292 | 500 V | 250 V | 800 A | 65 W | 100 mm | 1 | 2.58 kg |
| NH4AGG50V1000 | W1054293 | 500 V | 250 V | 1000 A | 78 W | 100 mm | 1 | 2.58 kg |
| NH4AGG50V1250 | X1054294 | 500 V | 250 V | 1250 A | 90 W | 100 mm | 1 | 2.58 kg |
| NH4AGG50V1600 | Y1054295 | 500 V | 250 V | 1600 A | 127 W | 100 mm | 1 | 2.58 kg |

TECHNICAL DATA

| | size 4 | size 4a |
|----------------------------|------------------|------------------|
| Size | 4 | 4a |
| Rated current | 400 ... 1250 A | 400 ... 1600 A |
| Rated breaking capacity AC | 120 kA | 120 kA |
| Rated voltage AC | 500 V | 500 V |
| Rated voltage DC | 250 V | 250 V |
| Indication System | middle indicator | middle indicator |
| Width | 100 mm | 100 mm |

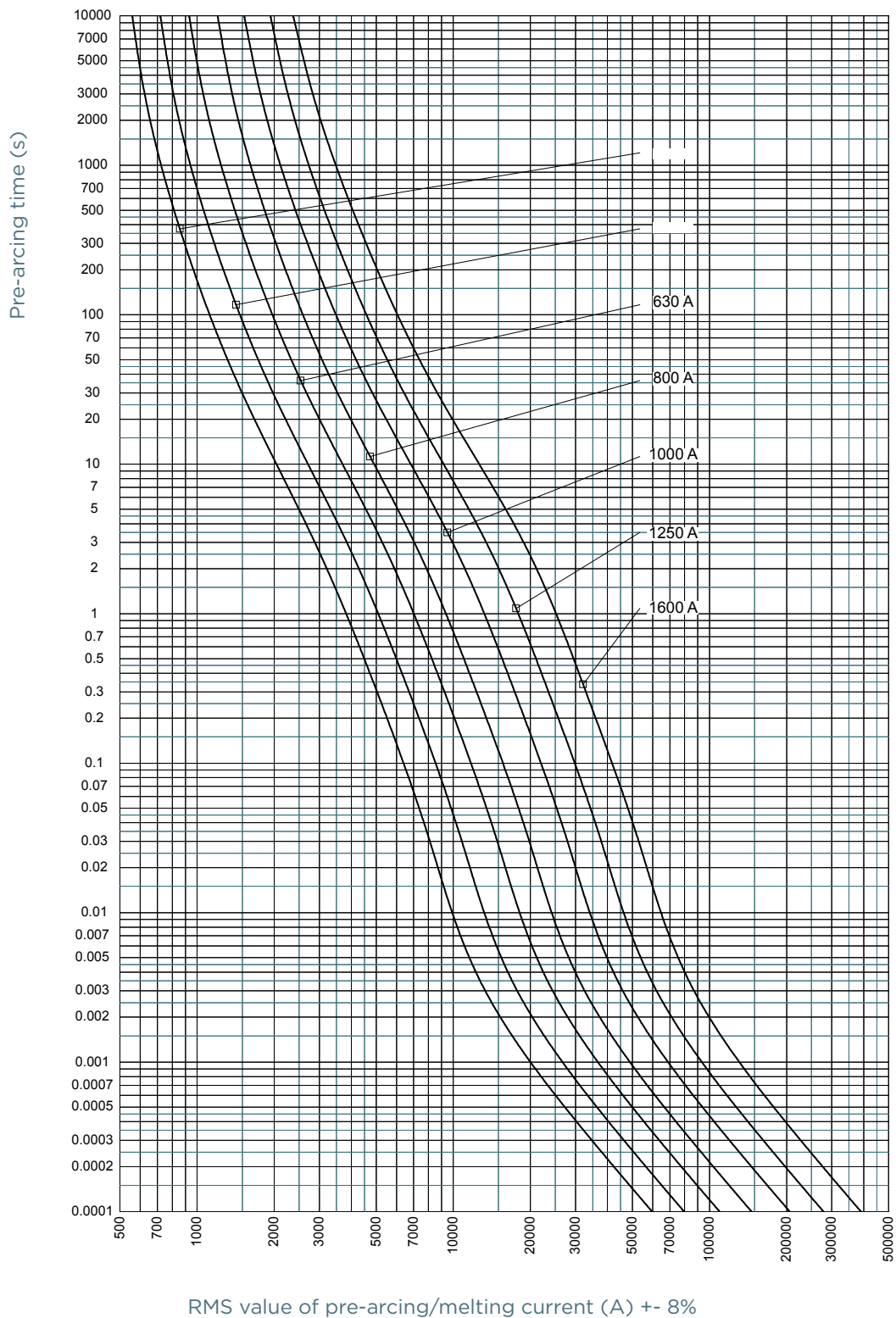
NH fuse-links gG 500VAC

middle indicator/live gripping-lugs size 4, 4a

TIME CURRENT CHARACTERISTIC CURVES

Size 4, 400-1250A

Size 4a, 400-1600A



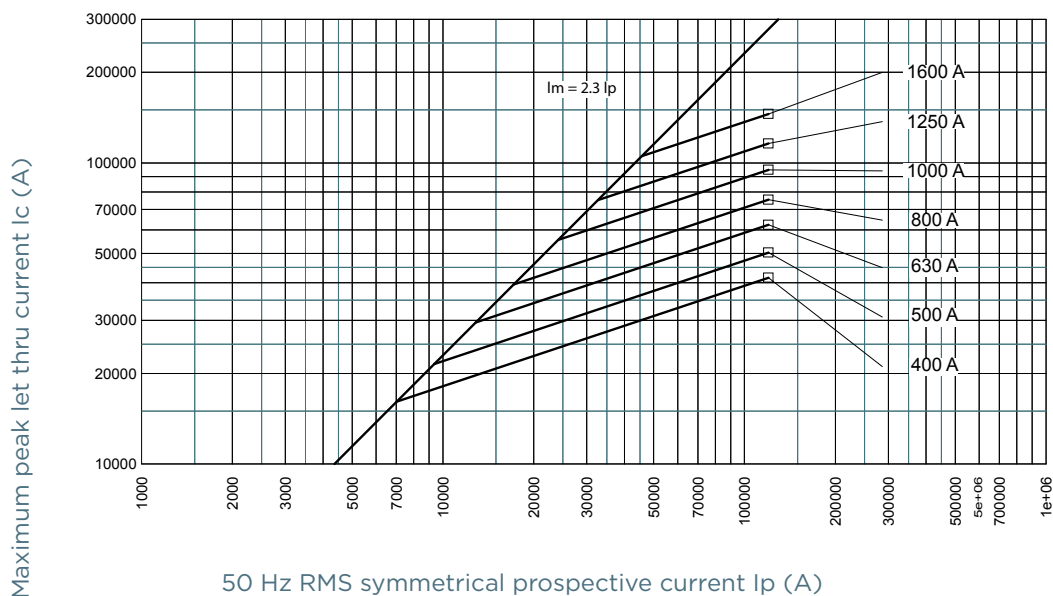
NH fuse-links gG 500VAC

middle indicator/live gripping-lugs size 4, 4a

CUT-OFF CURRENT CHARACTERISTIC

Size 4, 400-1250A

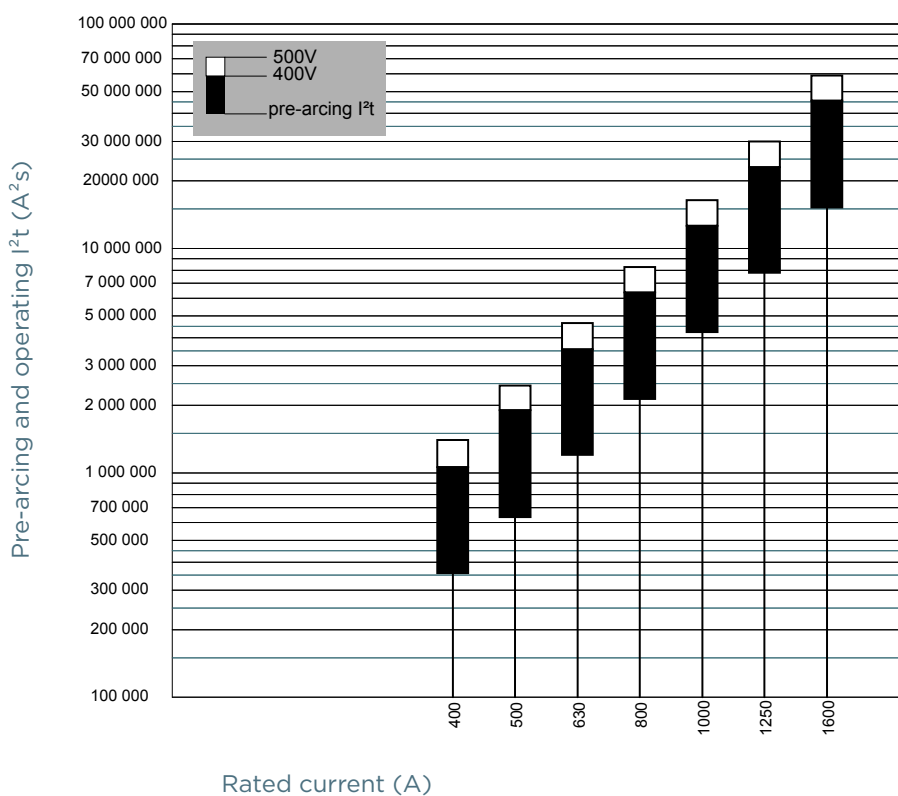
Size 4a, 400-1600A



PRE-ARCING AND OPERATING I^2t CHARACTERISTICS

Size 4, 400-1250A

Size 4a, 400-1600A

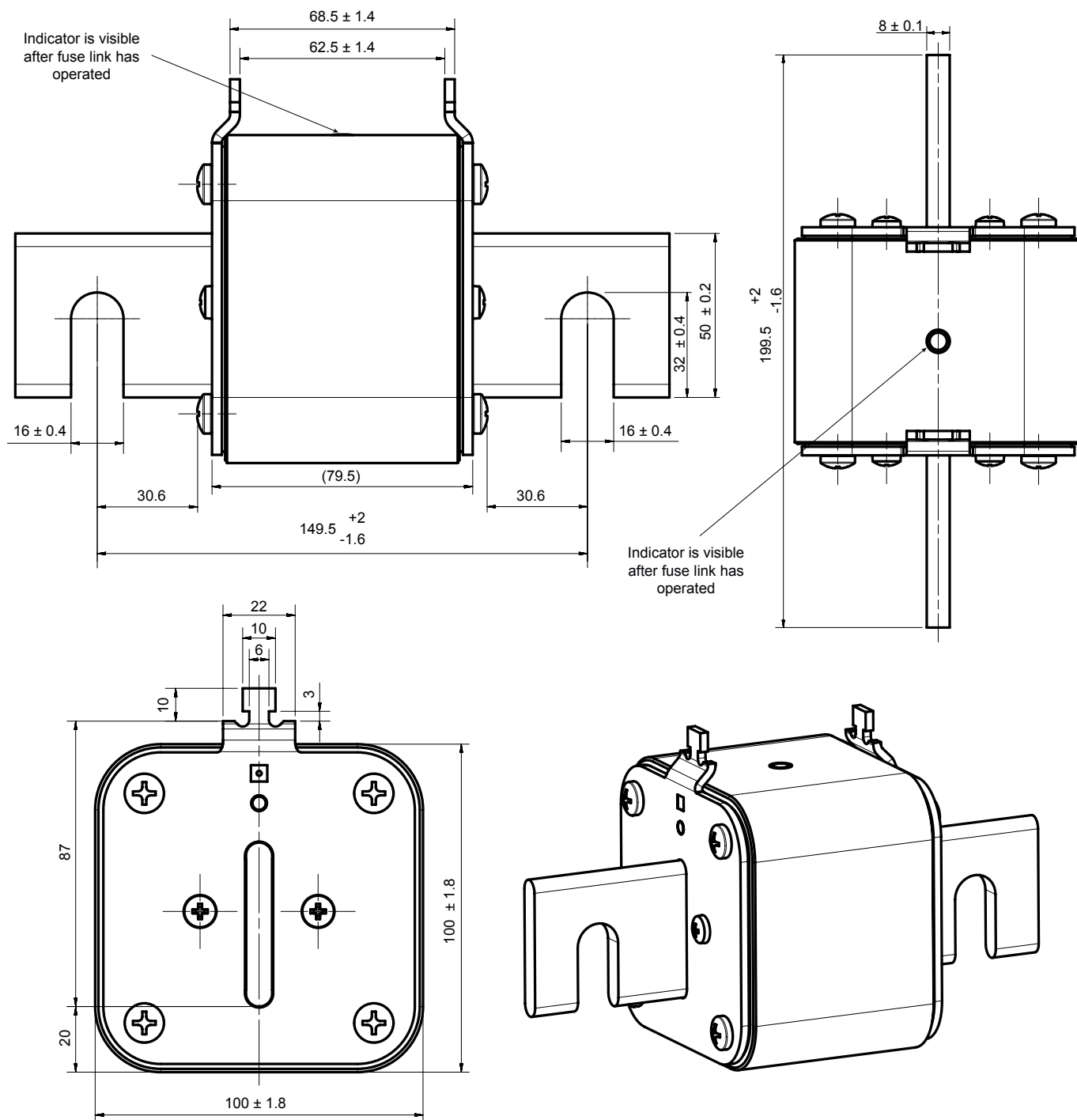


NH fuse-links gG 500VAC

middle indicator/live gripping-lugs size 4, 4a

DIMENSIONS

Size 4 with middle indicator (1037467)

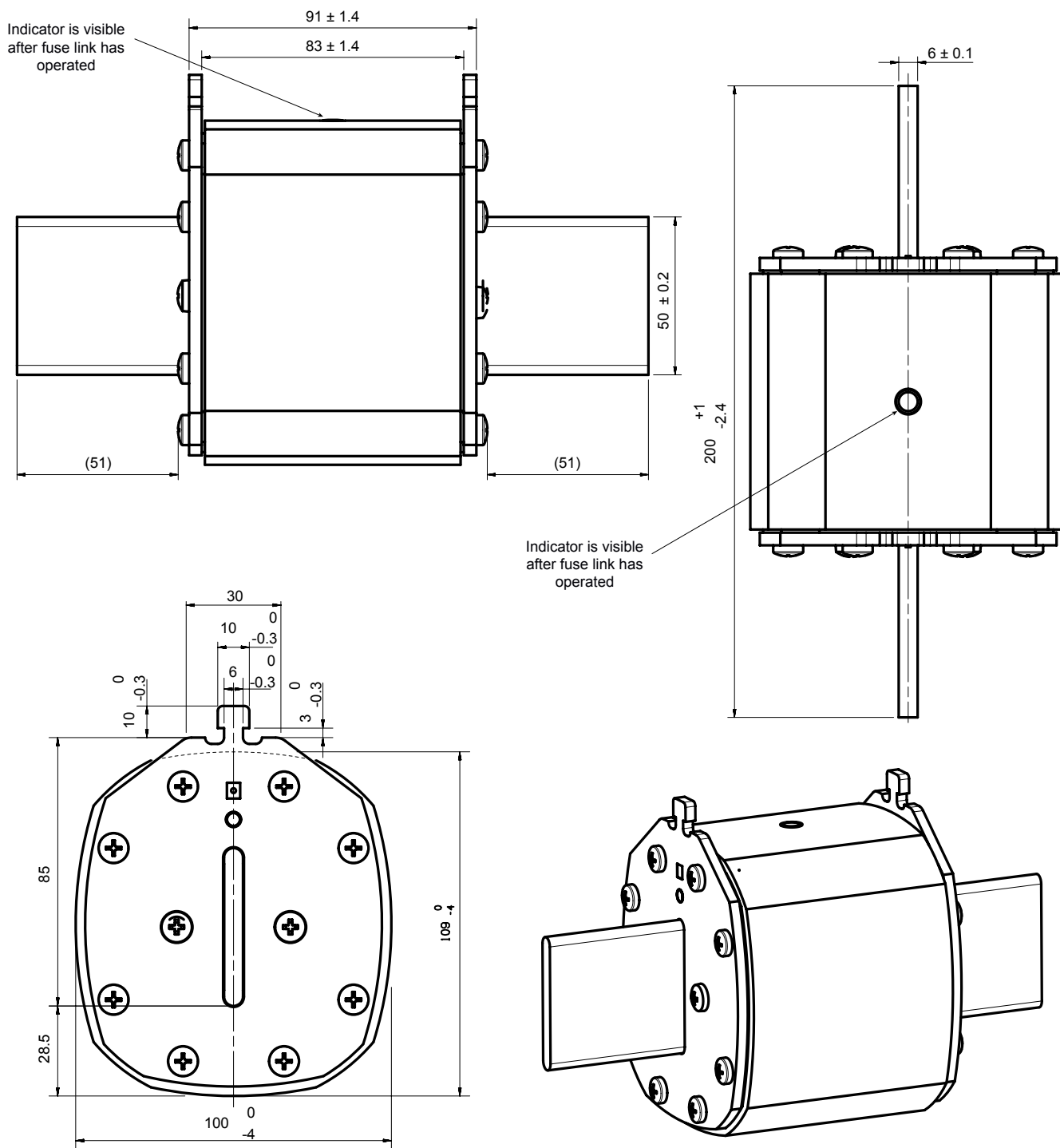


NH fuse-links gG 500VAC

middle indicator/live gripping-lugs size 4, 4a

DIMENSIONS

Size 4a with middle indicator (1037468)



Dimensions in mm