


22260589	DATA SHEET	
Valid from: 17.09.2018	AB-C5-2,0PUR-AD-2L	

Description

- Sensor/actuator cable with 2 LEDs, PUR halogen-free
- Free wire end, 3-pol, to valve plug AD (pressure switch)



General characteristics

Number of pins	5
Ambient temperature	-20 to +85 °C (-4°F to 185°F) (valve plug) -40 to +80 °C (-40°F to 176°F) (cable fixed installation) -20 to +80 °C (-4°F to 176°F) (cable flexible)
Degree of protection	IP 65 / IP 67
Cable length of the free cable end	50 mm
Central screw valve plug	M3 x 29

Variation

Article	Description	Length [m]
22260589	AB-C5-2,0PUR-AD-2L	2,0
22260590	AB-C5-5,0PUR-AD-2L	5,0
22260591	AB-C5-10,0PUR-AD-2L	10,0

Additional note


This datasheet is also valid for other length configurations. Other lengths upon request.

Mechanical properties

Plug

Inflammability class according to UL 94	V0
Contact valve plug	CuSn
Contact surface valve plug	Sn
Contact insert valve plug	PA 6
Housing valve plug	TPU
Seal	TPU (seal injected)
Tightening torque	0.6 Nm (valve plug)

Creator: ERTC1/PDP Released: IVSE1/PDP	Document: DB22260589EN Version: 04	Page 1 of 3
---	---------------------------------------	-------------

22260589	DATA SHEET	
Valid from: 17.09.2018	AB-C5-2,0PUR-AD-2L	

Line

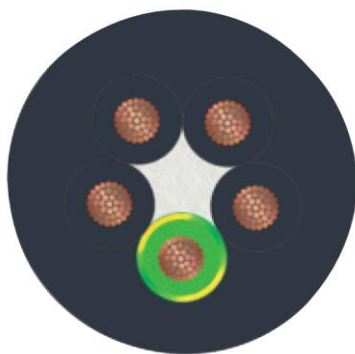
Conductor diameter including isolation	1.5 mm ± 0.05 mm (signal line)
Cable outer diameter	5.3 mm ± 0.02 mm
Core identification	Black 1, black 2, black 3, black 4, green/yellow
Sheath colour	Black gray RAL 7021
Bending radius	50 mm
Number of bending cycle	15000000
Traveling distance	0.9 m
Travel speed	5 m/s
Acceleration	30 m/s ²
Outer coating, material	PUR
Material wire insulation	PP
Flame resistance	Acc. UL-Style 20549
Halogen-free	Acc. DIN VDE 0472 part 815

Electrical properties

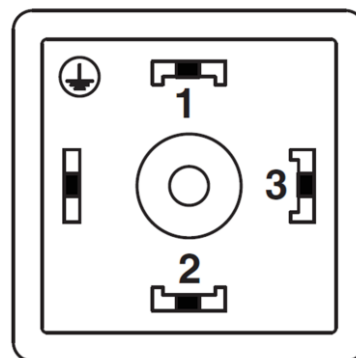
Rated voltage	24 V
Rated current at 40 °C	4 A
Overvoltage category	III
Pollution degree	3

Technical drawing

Wire cross section




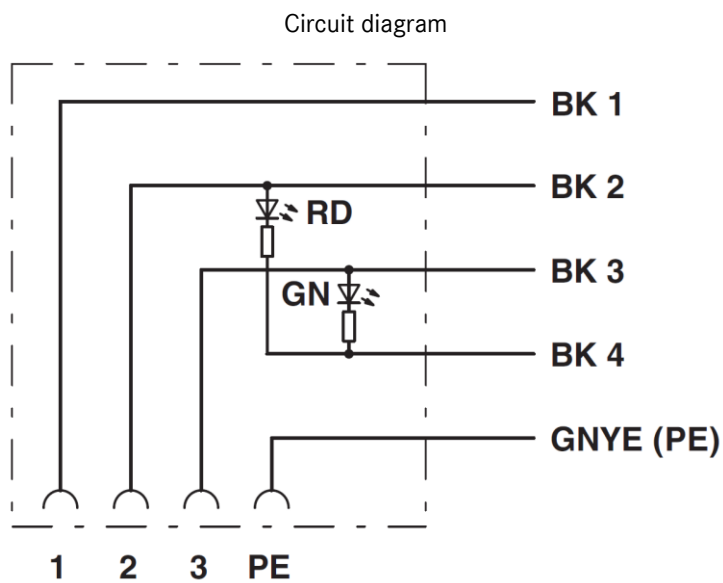
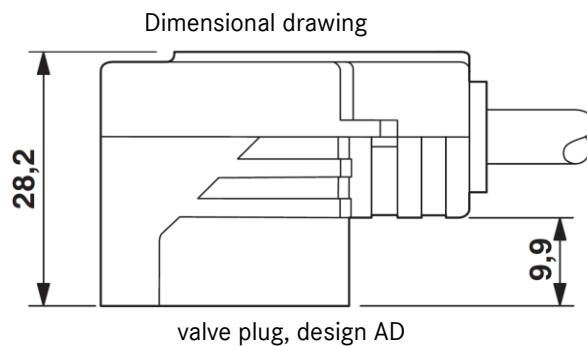
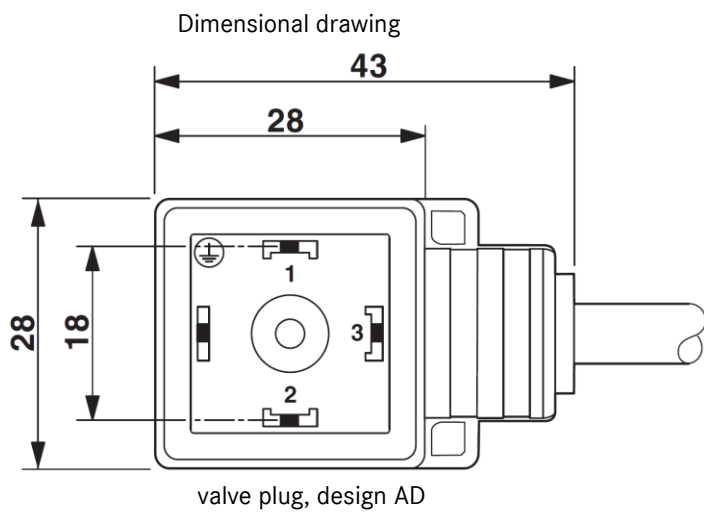
Drawing



Pin assignment valve plug, design AD

Creator: ERTC1/PDP Released: IVSE1/PDP	Document: DB22260589EN Version: 04	Page 2 of 3
---	---------------------------------------	-------------

22260589	DATA SHEET	
Valid from: 17.09.2018	AB-C5-2,0PUR-AD-2L	



Contact the valve plug

Application range

Automation, industrial machinery and plant engineering

Note

Photographs are not true to scale and do not represent detailed images of the respective products.

Creator: ERTC1/PDP Released: IVSE1/PDP	Document: DB22260589EN Version: 04	Page 3 of 3
---	---------------------------------------	-------------