

**AK 4.10 FRM10X45 KBF0.4 12 TGTZN (371 008)**

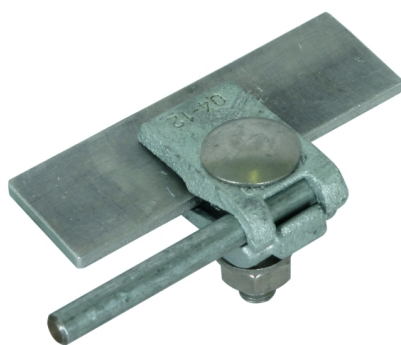
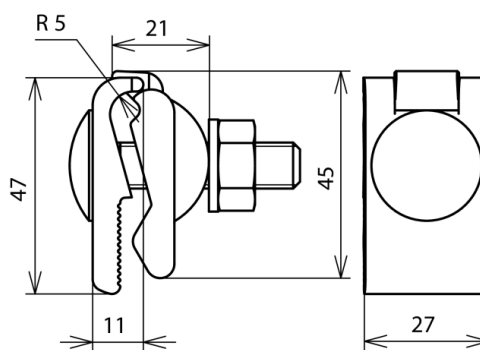


Figure without obligation



Arrangement:

| Type  | AK 4.10 FRM10X45 KBF0.4 12 TGTZN |
|---|----------------------------------|
| Part No.  | 371 008                          |
| Clamping range                                    | 0.4-12 mm                        |
| Material of clamp                                 | MCl/tZn                          |
| Clamping range Rd                                 | 4-10 mm                          |
| Screw   | M10 x 45 mm                      |
| Material of screw / nut                           | StSt                             |
| Lightning current carrying capability (10/350 µs) | <sup>*)</sup>                    |
| Standard  | EN 62561-1                       |
| Weight  | 148 g                            |
| Customs tariff number                             | 85389099                         |
| GTIN  | 4013364024670                    |
| PU  | 50 Stk                           |

<sup>\*)</sup> For exact assignment see test certificate.

We reserve the right to introduce changes in performance, configuration and technology, dimensions, weights and materials in the course of technical progress. The figures are shown without obligation.