

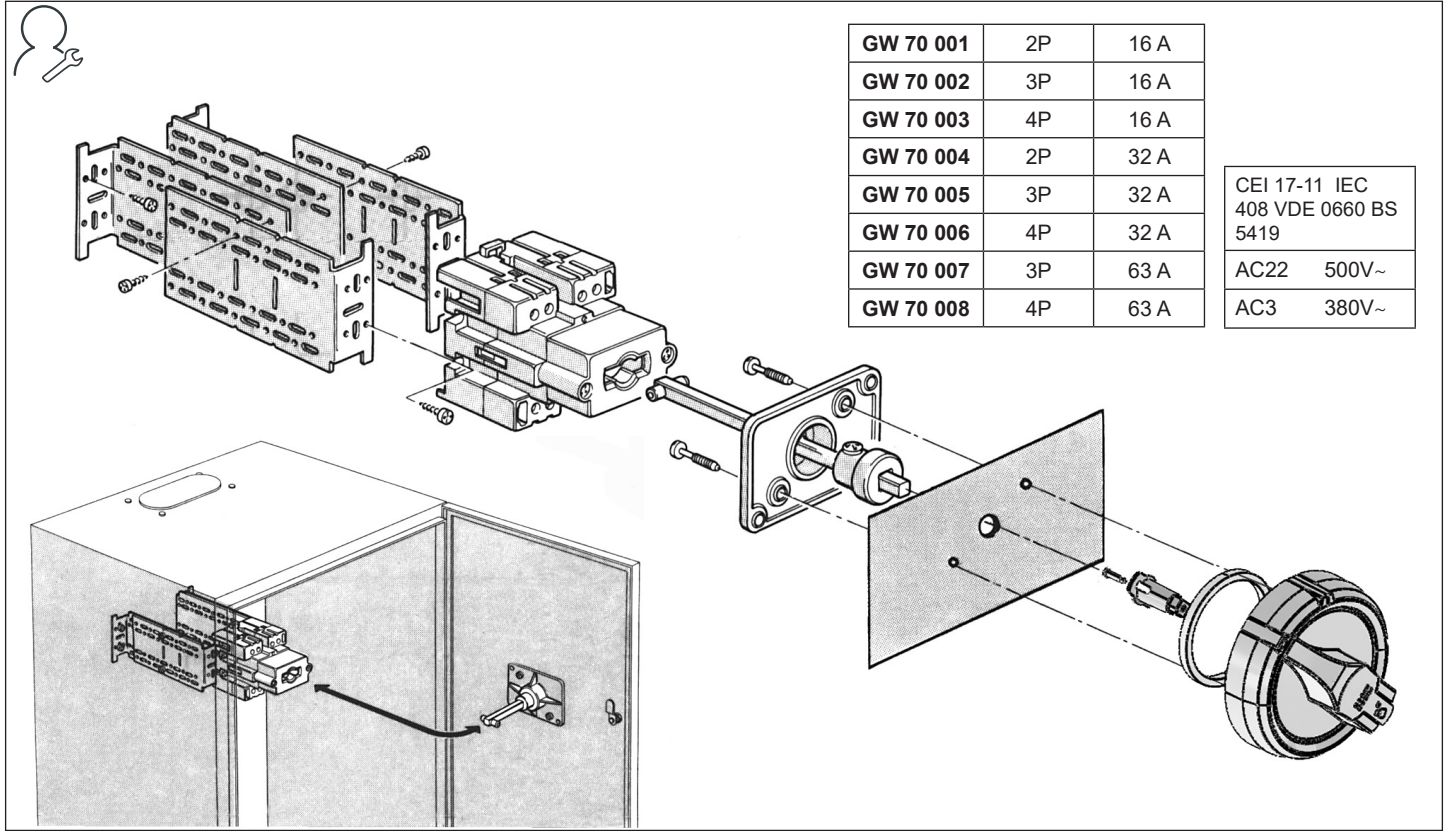
# 70 RT

# GEWISS



GW 70 001	2P	16 A
GW 70 002	3P	16 A
GW 70 003	4P	16 A
GW 70 004	2P	32 A
GW 70 005	3P	32 A
GW 70 006	4P	32 A
GW 70 007	3P	63 A
GW 70 008	4P	63 A

CEI 17-11 IEC 408 VDE 0660 BS 5419	
AC22	500V~
AC3	380V~



	L1	L2	L
16/32A	22	13	120
63A	22	21,5	128

	L1	L2	A
16 A	(145+160) 305	(87+30) 117	∅ 70
32 A	(145+160) 305	(87+30) 117	∅ 70
63 A	(177+160) 337	(114+30) 144	∅ 82

16-32 A

63 A

90÷160 mm

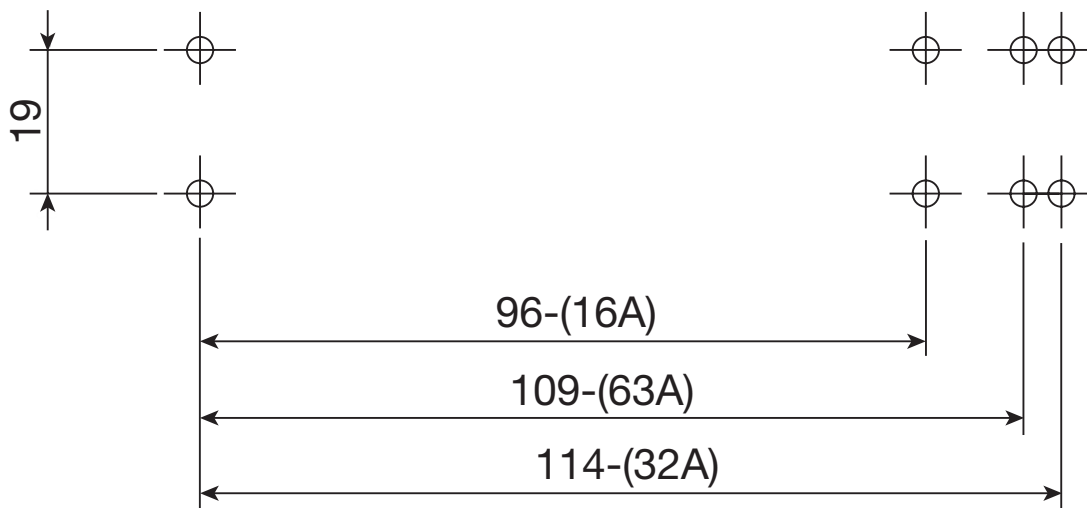
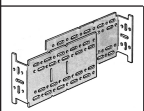
50÷90 mm

30÷50 mm

# 70 RT

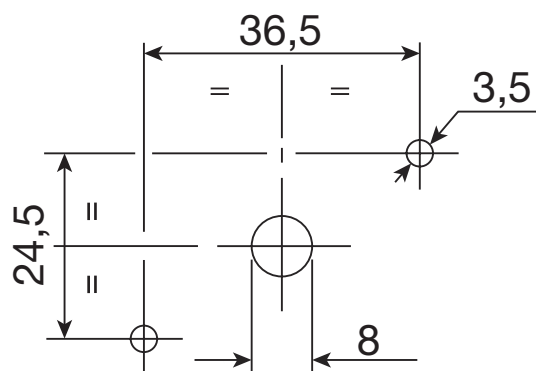
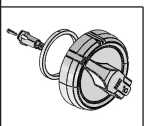
# GEWISS

cod. 7.45.1.624.6



# 70 RT

# GEWISS



16-32-63A

Punto di contatto indicato in adempimento ai fini delle direttive e regolamenti UE applicabili:

Contact details according to the relevant European Directives and Regulations:

GEWISS S.p.A. Via A.Volta, 1 IT-24069 Cenate Sotto (BG) Italy tel: +39 035 946 111 E-mail: qualitymarks@gewiss.com



+39 035 946 111  
8.30 - 12.30 / 14.00 - 18.00  
lunedì - venerdì - monday - friday



+39 035 946 260



sat@gewiss.com  
www.gewiss.com

ULTIMA REVISIONE 11/2018