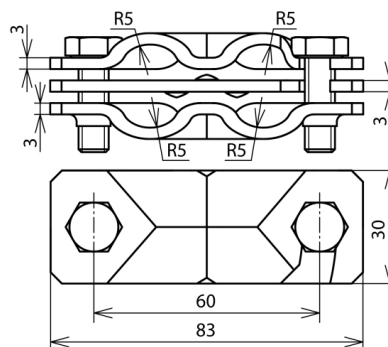


SVPK 8.10 8.10 FL30 ZP STTZN (308 070)



Figure without obligation



Type	SVPK 8.10 8.10 FL30 ZP STTZN
Part No.	308 070
Material of clamp	St/tZn
Clamping range Rd / Rd	8-10 / 8-10 mm
Clamping range Rd / FI	8-10 / 30 mm
Clamping range FI / FI	30 / 30 mm
Screw	M8 x 25 mm
Material of screw	St/tZn
Intermediate plate	yes
Lightning current carrying capability (10/350 µs)	100 kA / 50 kA ^{*)}
Standard	EN 62561-1
Weight	197 g
Customs tariff number	85389099
GTIN	4013364066298
PU	1 Stk

^{*)} For exact assignment see test certificate.

We reserve the right to introduce changes in performance, configuration and technology, dimensions, weights and materials in the course of technical progress. The figures are shown without obligation.