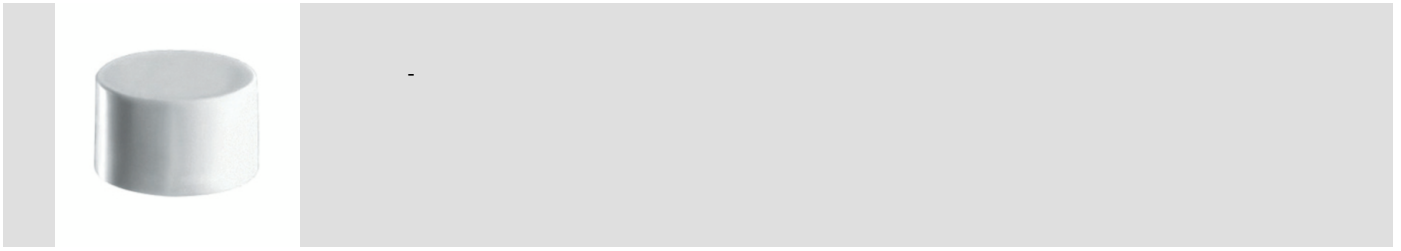


Product Data Sheet

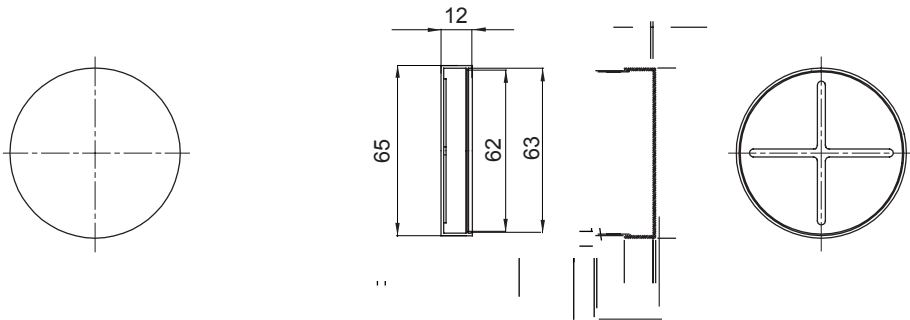
DX52163

FK Range



Colour	Grey RAL 7035	Material	PP
Conduits Ø (mm)	63	Electrocod	210

DIMENSIONAL



STANDARDS/APPROVALS

