

Product End-of-Life Instructions

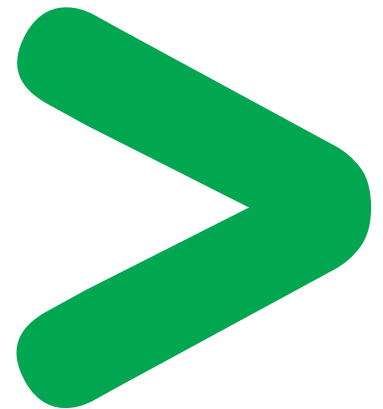
Automation Platform Modicon M580

Product Range

M580

Marketing Model

BMEP584040, BMEP581020, BMEP582020, BMEP582040, BMEP583020, BMEP583040, BMEP584020, BMEP581020H, BMEP582020H, BMEP582040H



Size in mm:

W x D x H : 64 x 132 x 130

Weight (excluding packaging) in g:

750



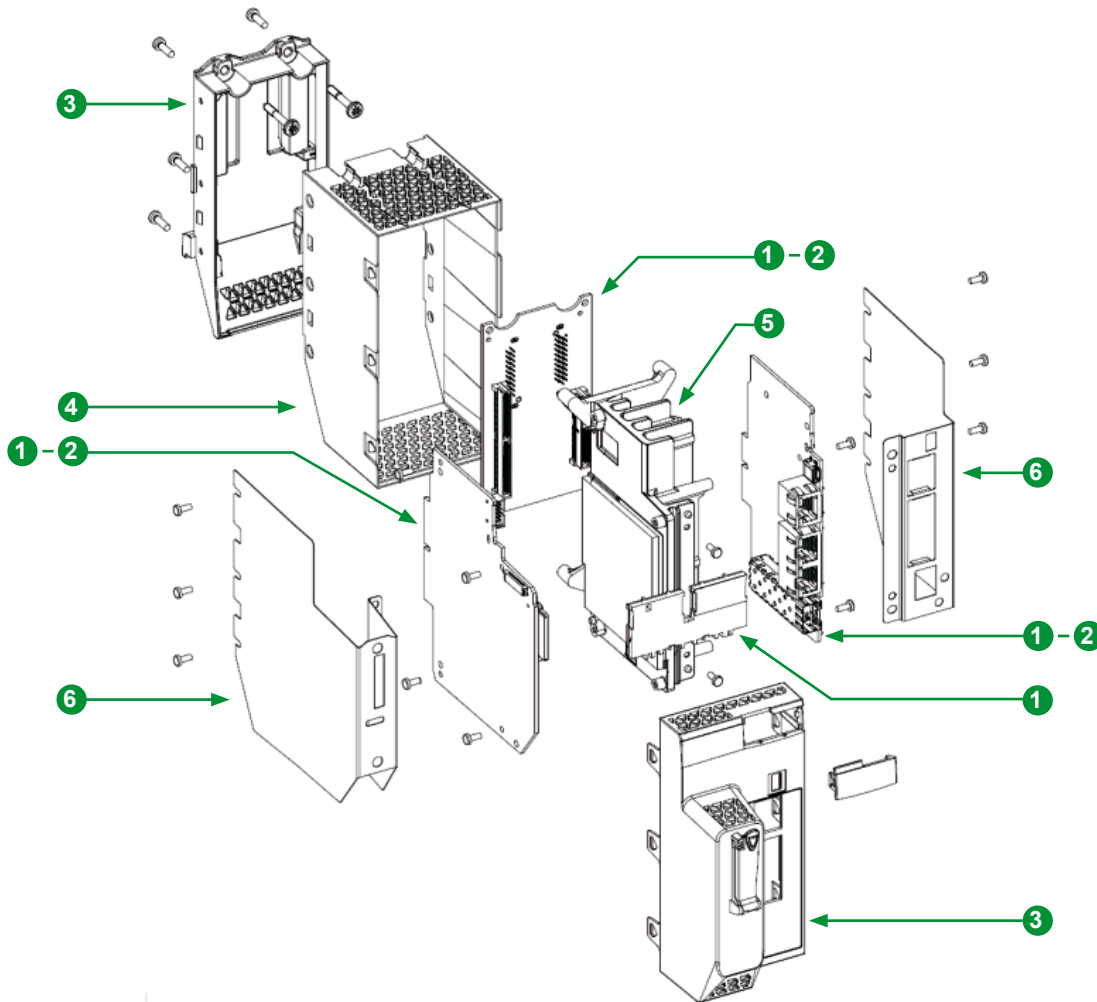
Operations recommended for the end of life treatment

There are several steps to process the products at the end of life so as to recover components, materials or energy :

Reuse ⇒ Separation for special treatment ⇒ Other Dismantling ⇒ Shredding

The components of the products that optimize the recycling performances are listed, identified and located hereunder.

This BMEP584040 contains electrolytic capacitors.



Recommendation	Number on drawing	Components	Weight (g)	Comment
Special treatment	1	Printed Circuit Board Assembly (PCBA) or Power Components	134	-
	2	Electrolytics capacitors	21.4	-
	3	Plastic part	90.2	PC-FR Brominated
Other dismantling	4	Zamak	157.6	-
	5	Aluminium	228.6	-
	6	Stainless steel	68.7	-

Schneider Electric Industries SAS

35, rue Joseph Monier
CS30323
F - 92506 Rueil Malmaison Cedex

RCS Nanterre 954 503 439
Capital social 896 313 776 €
www.schneider-electric.com

The version of the Guide used to create the document: End of Life Instruction Drafting Guide of Schneider Electric version V5.

Publication : Schneider Electric