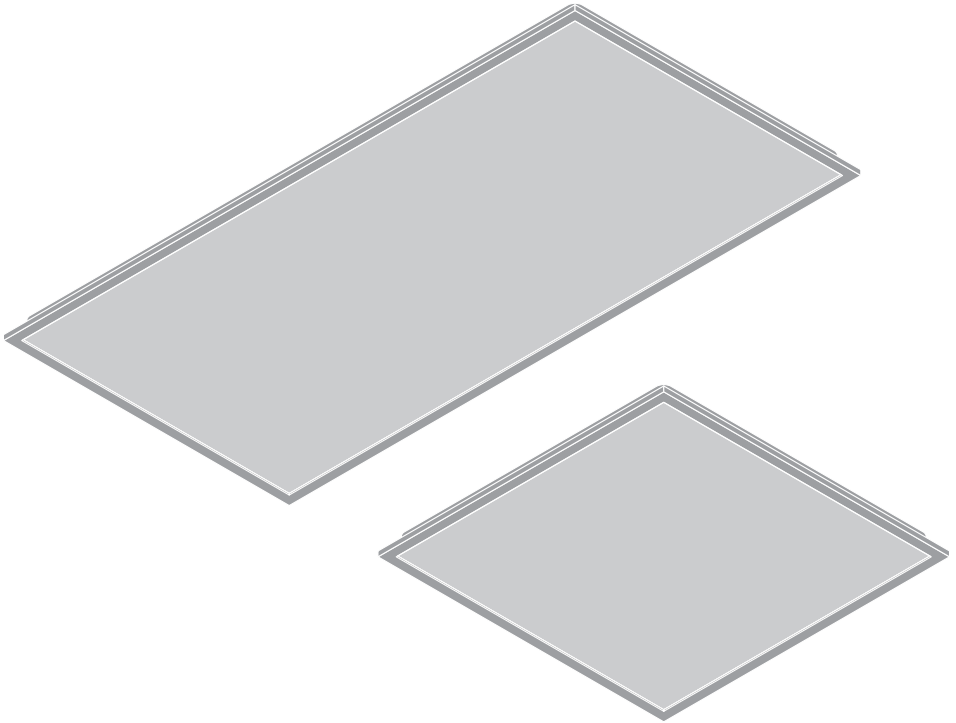
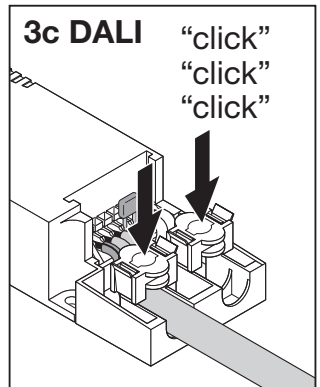
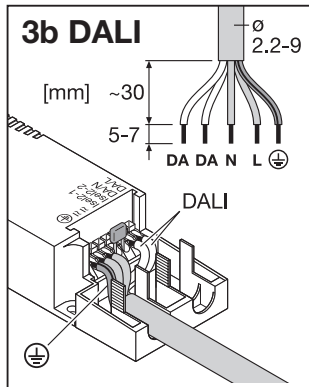
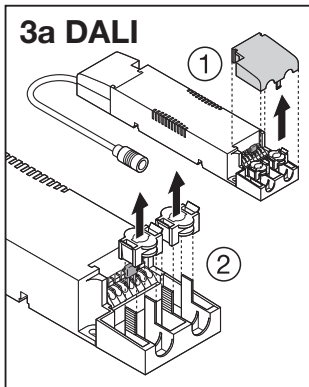
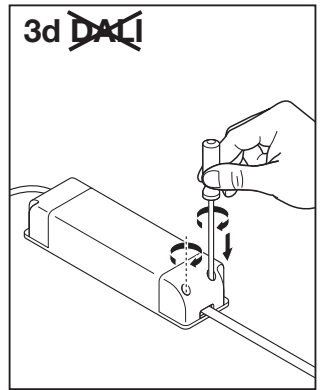
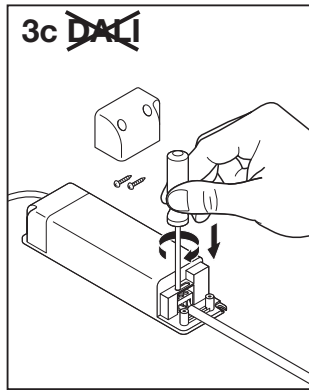
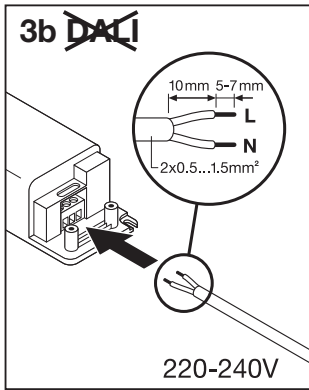
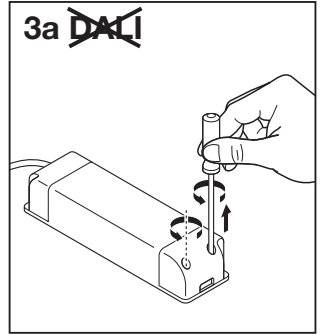
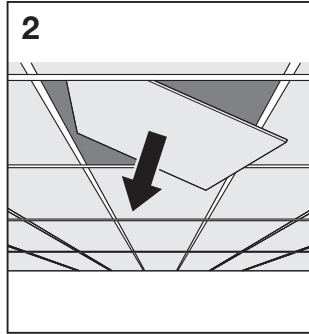
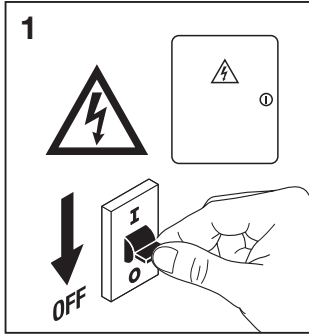
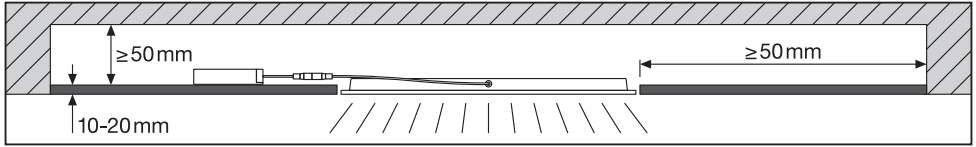
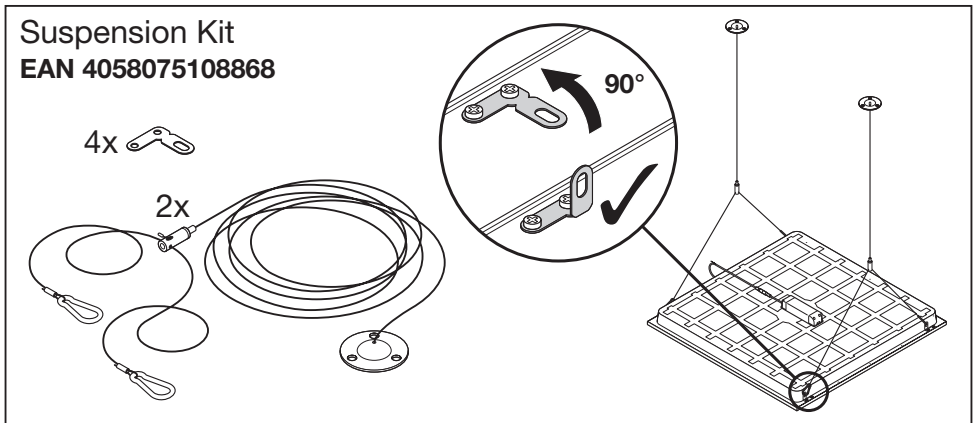
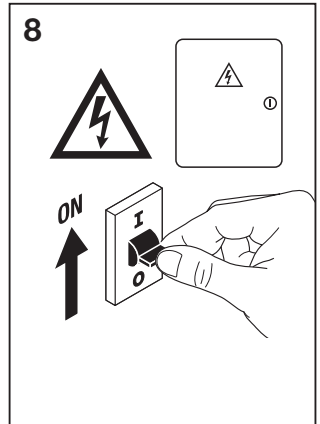
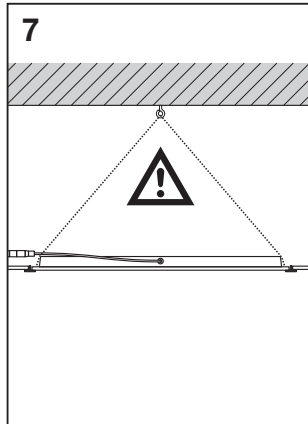
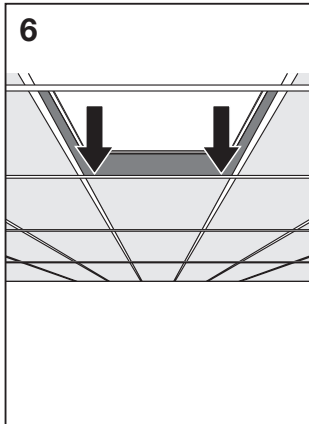
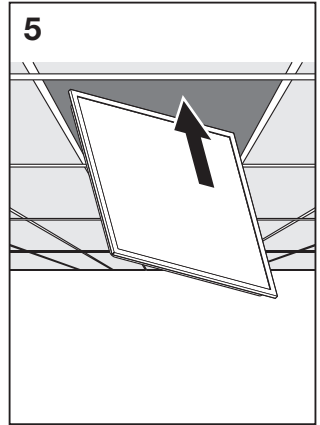
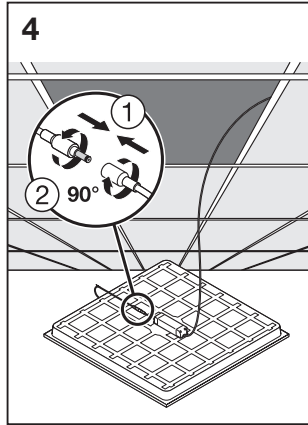
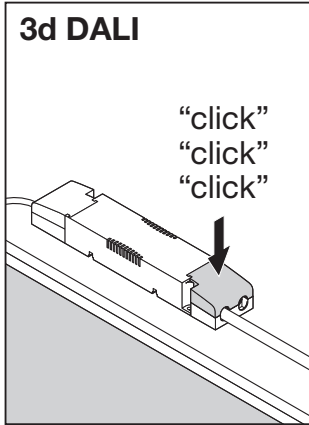

PANEL 600 / PANEL 1200x600



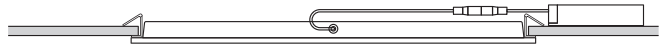
	EAN	l x w x h [mm]	W	VAC	Hz	lm	lm/W	K
PL PFM 600 36W/4000K UGR19 TPA	4058075384309	595 x 595 x 35	36	220-240	50/60	3900	110	4000
PL PFM DALI 600 36W/4000K UGR19 TPA	4058075384323	595 x 595 x 35	36	220-240	50/60	3900	110	4000
PL VAL 600 36W/4000K TPB	4058075384347	595 x 595 x 35	36	220-240	50/60	3200	90	4000
PL VAL 1200x600 65W/4000K TPB	4058075384361	1195 x 595 x 35	65	220-240	50/60	5800	90	4000

	EAN	IP	IK	∇	R _a	⌈ (°C)	PF	👤
PL PFM 600 36W/4000K UGR19 TPA	4058075384309	40	03	90°	≥80	-10...+45	>0.9	1.8kg
PL PFM DALI 600 36W/4000K UGR19 TPA	4058075384323	40	03	90°	≥80	-10...+45	>0.9	1.8kg
PL VAL 600 36W/4000K TPB	4058075384347	40	03	120°	≥80	-10...+45	>0.9	1.8kg
PL VAL 1200x600 65W/4000K TPB	4058075384361	40	03	120°	≥80	-10...+45	>0.9	3.6kg

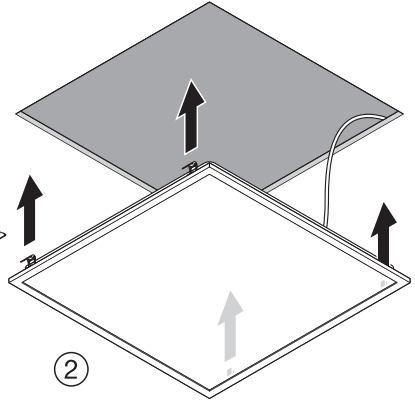
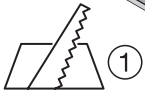




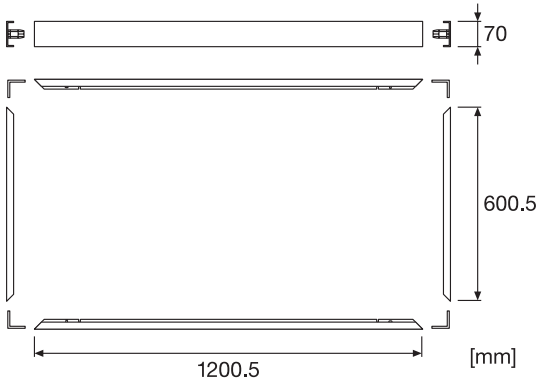
Mounting Clips
EAN 4058075109421



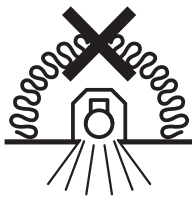
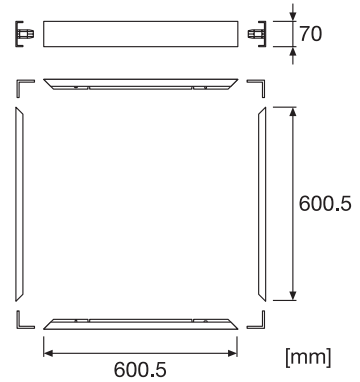
Panel 600x600: 580mm
 Panel 1200x600: 1180mm
 Panel 600x600: 580mm
 Panel 1200x600: 580mm



Surface Mount Kit Value
1200x600
EAN 4058075389823



Surface Mount Kit Value
600x600
EAN 4058075075795



C10449057
 G11082472
 08.08.19



LEDVANCE GmbH
 Steinerne Furt 62
 86167 Augsburg, Germany
www.ledvance.com