

Presence detector, dual tech, PIR+US, 230 V, secondary, 9.5 m / 19 m, for flush-mounting box, white

350-20066

4 year warranty

This (secondary) intelligent presence detector is suitable for ceiling mounting in offices. It quickly detects the smallest movements thanks to its passive infrared (PIR) and ultrasonic (US) beams. The device automatically adjusts its sensitivity to the movements registered. The detection range is 360°. The detection range can be adjusted using the cover mask. The device has an IP20 protection degree.

Finishing colour: white

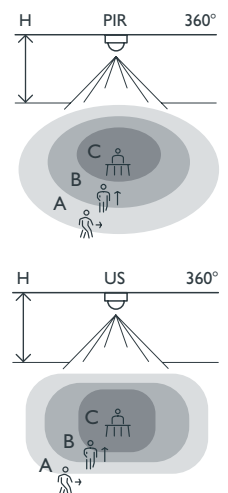
Compatible master detectors: 350-20065



- Sustainable
- Functional
- Simple installation
- Energy saving
- With an integrated light sensor.

Presence detector to be used for extremely detailed detection and in large premises

Detection range



PIR H I	A Across	B Towards	C Presence
2 m	∅ 7 m	∅ 4 m	∅ 3 m
2.5 m	∅ 8 m	∅ 4 m	∅ 3.5 m
3 m	∅ 9.5 m	∅ 5 m	∅ 4 m

US H I	A Across	B Towards	C Presence
2 m	13 x 8 m	8 x 6 m	6 x 4 m
2.5 m	16 x 10 m	10 x 8 m	8 x 7 m
3 m	19 x 12 m	12 x 10 m	9 x 7 m



niko

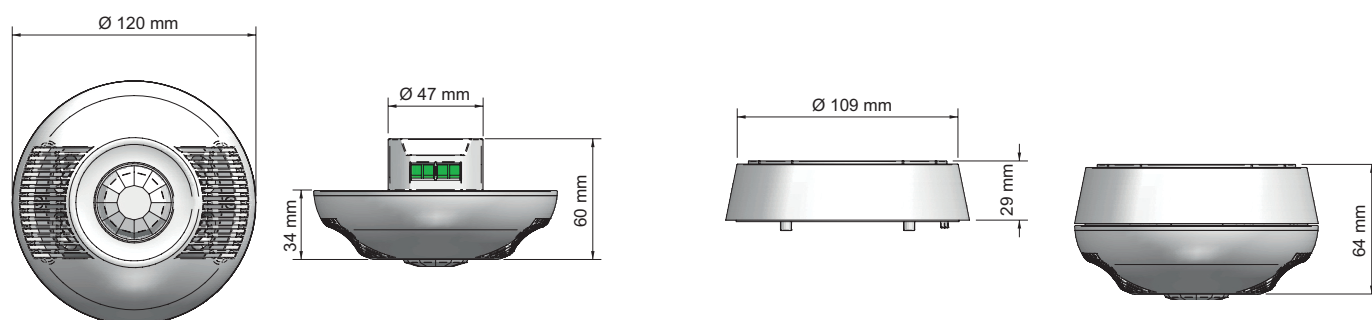
Technical data

Article number	350-20066
Compatible master detectors	350-20065
Input voltage	230 Vac \pm 10 %, 50 Hz
Detector output	230 V (ON/OFF)
Maximum MCB rating	10 A (limited by national installation rules)
Detection angle	360 °
Detection range (PIR)	\varnothing 9.5 m from a height of 3 m
Detection range (US)	12 x 19 m from a height of 3 m
Ambient temperature	0 – +45 °C
Mounting method	flush-mounting box
Mounting height	2 – 3 m
Dimensions visible (HxWxD)	120 x 120 x 34 mm
Dimensions (HxWxD)	120 x 120 x 60 mm
Protection degree	IP20
Marking	CE

Accessories

390-20057 Flush mounting box with spring clips

Dimensions



Wiring diagram

