



CoreLine Recessed Spot

RS141B LED6-32-/840 PSR PI6 WH

32° - 840 neutral white - Power supply unit regulating - Push-in connector 6-pole - White RAL9010

CoreLine Recessed Spot delivers on the CoreLine promise of innovative, easy to use and high-quality luminaires. CoreLine Recessed Spot is a recessed spot range designed to replace halogen-based luminaires. Its halogen-like look and attractive price make it easier for customers to make the switch to LED. This product provides a natural lighting effect for accent lighting applications, as well as instant energy savings and much longer lifetime – an environmentally friendly solution. With the push-in connectors, installation is fast and straightforward.

Product data

General information		Flammability mark	For mounting on normally flammable surfaces
Beam angle of light source	32°	CE mark	CE mark
Light source color	840 neutral white	ENEC mark	-
Light source replaceable	No	Warranty period	5 years
Number of gear units	1 unit	Remarks	*-Per Lighting Europe guidance paper "Evaluating performance of LED based luminaires - January 2018": statistically there is no relevant difference in lumen maintenance between B50 and for example B10. Therefore, the median useful life (B50) value also represents the B10 value.
Driver/power unit/transformer	Power supply unit regulating	Constant light output	No
Driver included	Yes		
Optic type	Beam angle 32°		
Luminaire light beam spread	32°		
Control interface	Analog		
Connection	Push-in connector 6-pole		
Cable	-		
Protection class IEC	Safety class II		
Glow-wire test	Temperature 650 °C, duration 30 s		

CoreLine Recessed Spot

Number of products on MCB of 16 A type B	40
EU RoHS compliant	Yes
Unified glare rating CEN	22
Operating and electrical	
Input Voltage	220 to 240 V
Input Frequency	50 to 60 Hz
Inrush current	7 A
Inrush time	500 ms
Power Factor (Min)	0.9
Controls and dimming	
Dimmable	Yes
Mechanical and housing	
Housing Material	Aluminum die cast
Reflector material	Polycarbonate
Optic material	Polycarbonate
Optical cover/lens material	Polycarbonate
Fixation material	Stainless steel
Optical cover/lens finish	Clear
Overall height	59.5 mm
Overall diameter	95 mm
Color	White RAL9010
Dimensions (Height x Width x Depth)	60 x NaN x NaN mm
Approval and application	
Ingress protection code	IP44 [Wire-protected, splash-proof]
Mech. impact protection code	IK02 [0.2 J standard]
Sustainability rating	-
Initial performance (IEC compliant)	
Initial luminous flux (system flux)	650 lm

Luminous flux tolerance	+/-10%
Initial LED luminaire efficacy	82 lm/W
Init. Corr. Color Temperature	4000 K
Init. Color Rendering Index	85
Initial chromaticity	(0.38, 0.38) SDCM <5
Initial input power	8 W
Power consumption tolerance	+/-10%

Over time performance (IEC compliant)

Control gear failure rate at median useful life 50000 h	5 %
Lumen maintenance at median useful life* L70	50000 h

Application conditions

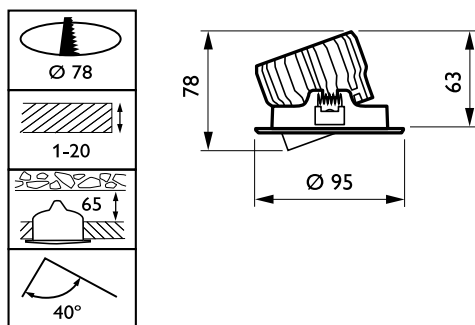
Ambient temperature range	0 to +35 °C
Performance ambient temperature Tq	25 °C
Maximum dim level	10%
Suitable for random switching	Yes

Product data

Full product code	871869938282799
Order product name	RS141B LED6-32-/840 PSR PI6 WH
EAN/UPC - Product	8718699382827
Order code	912401483036
Numerator - Quantity Per Pack	1
Numerator - Packs per outer box	18
Material Nr. (12NC)	912401483036
Net Weight (Piece)	0.290 kg



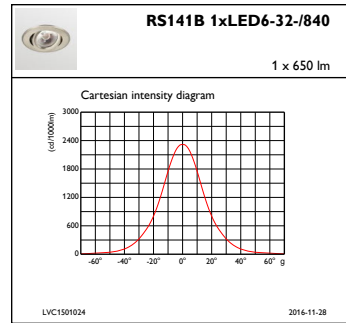
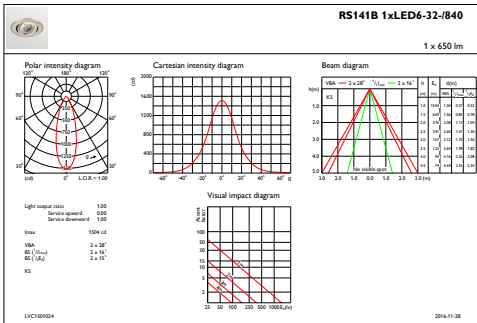
Dimensional drawing



RS141B LED6-32-/840 PSR PI6 WH

CoreLine Recessed Spot

Photometric data



IFAS1_RS141B1xLED6-32-840

IFCC1_RS141B1xLED6-32-840

