

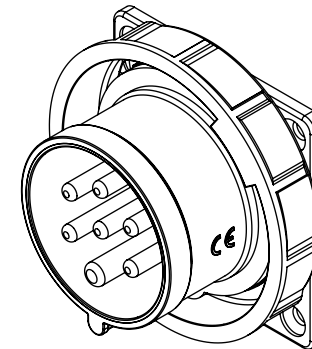
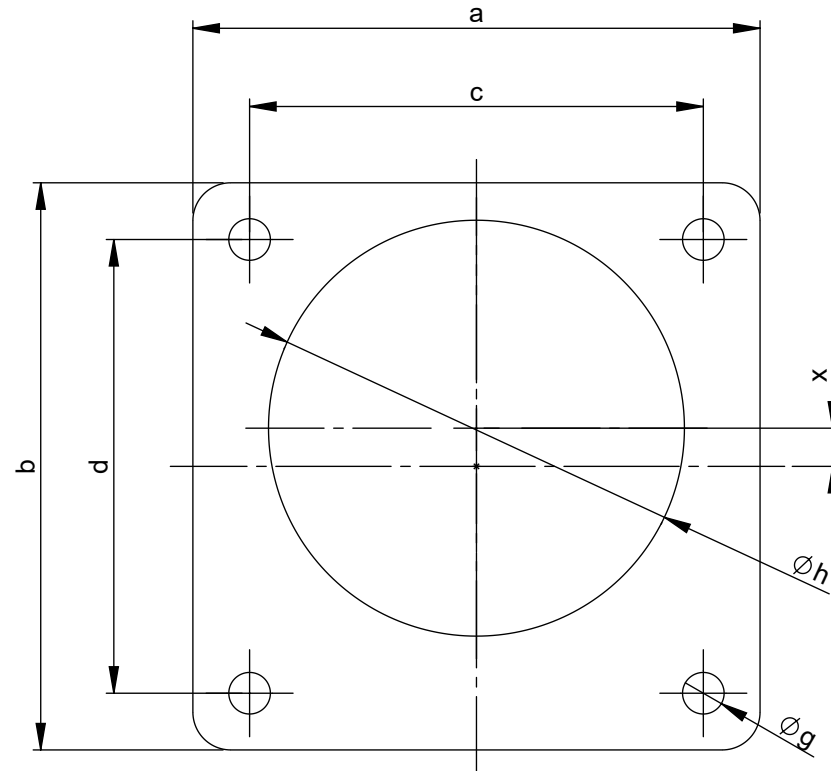
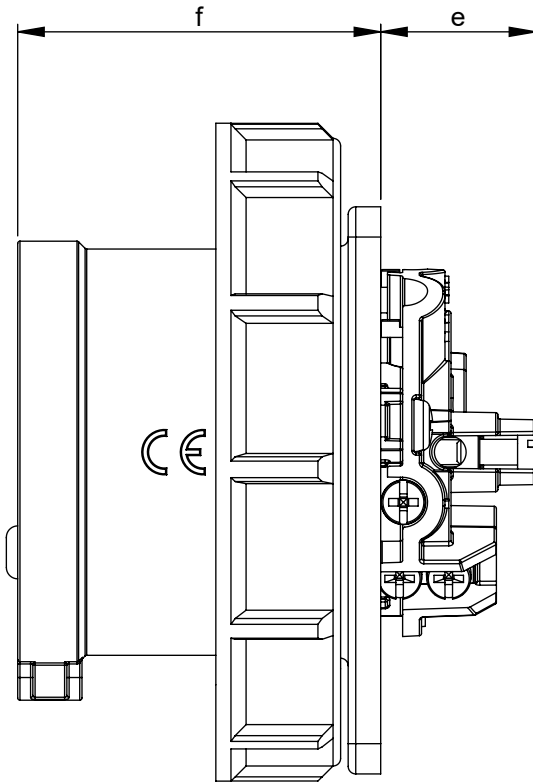
Maßskizze / dimensional drawing

Benennung: Anbaugerätestecker gerade 16A+32A 7p IP66/67

description: Flanged plug straight 16A+32A 7p IP66/67

Teilenummer / part number: 6172-*v, 6272-*v

PCE



M1:2

| Ampere | 16 | 32 |
|----------------------|------|-----|
| Pole | 7 | 7 |
| a [mm] | 75 | 75 |
| b [mm] | 75 | 75 |
| c [mm] | 60 | 60 |
| d [mm] | 60 | 60 |
| e [mm] | 21 | 23 |
| f [mm] | 48 | 58 |
| $\varnothing g$ [mm] | 5,5 | 5,5 |
| $\varnothing h$ [mm] | 55 | 55 |
| x [mm] | 5,05 | 0 |