

THORGEON

TIMERS

DIGITAL TIME SWITCH

18006



Scan me

www.thorgeon.com/18006

Manufactured in PRC

 thorgeon



18006 DIGITAL TIME SWITCH.

18006 has a complete switching program. Large and clear display with one text line. Quick and intuitive to set your program.

APPLICATION

18006 fits for the particular use of the following tasks: illumination of private and industrial areas, street and shop-window lightening, regulation of air conditioning, flushing, motors, pumps, plants and machinery as well as to simulate presence etc.

THORGEON



www.thorgeon.com

SIA "ATTA-1", Daugavgrivas street 77,
Riga, Latvia, LV-1007



4751029899392

Developed in Latvia

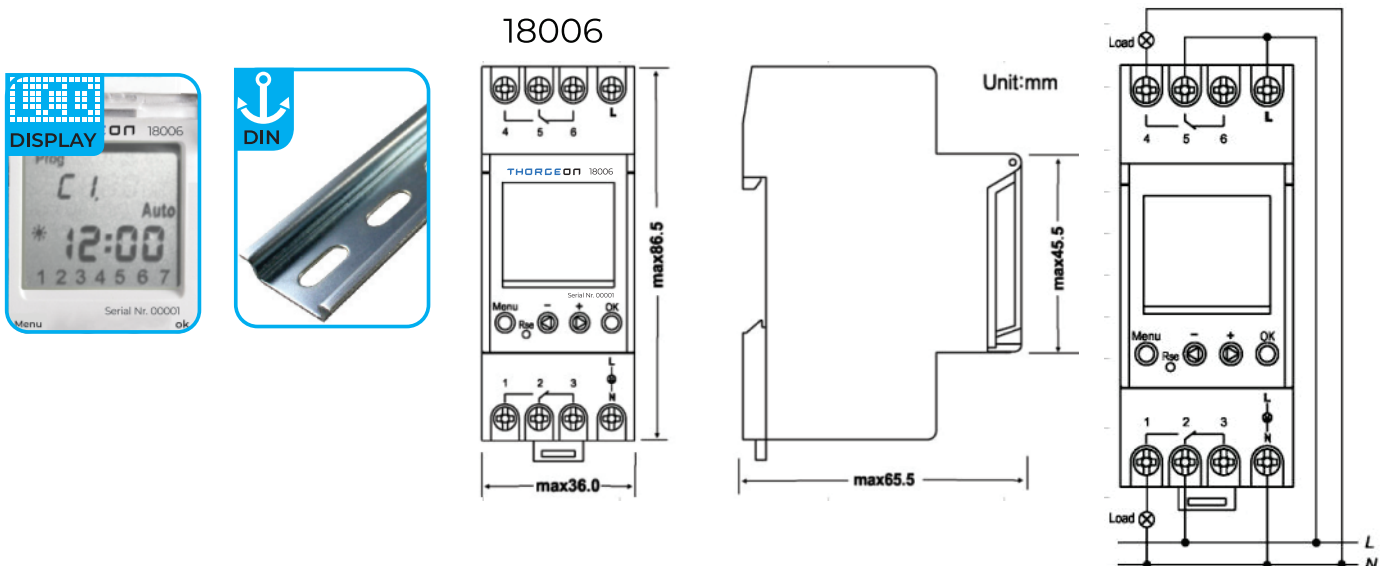
Description

18006	<ul style="list-style-type: none"> Built-in calendar: 2018 - 2048 years.
<ul style="list-style-type: none"> Daily and weekly program 	<ul style="list-style-type: none"> EU and custom Daylight Saving Time.
<ul style="list-style-type: none"> 30 ON/OFF program 	<ul style="list-style-type: none"> 32 times of pulse program
<ul style="list-style-type: none"> Elapsed time and pulse counter 	<ul style="list-style-type: none"> 5 years battery reserve
<ul style="list-style-type: none"> Accumulated working hours and action numbers can be viewed. 	
<ul style="list-style-type: none"> Built-in lithium battery, keep working when power failure. 	

Technical data

Supply voltage	230Vac, 50Hz
Switching capacity (per channel)	resistive load: 16 A / 250 V \sim at $\cos\phi=1$
	inductive load: 10 A / 250 V \sim at $\cos\phi=0,6$
Minimum interval	1 Min.
Time accuracy at 25 °C	± 2 Sec./day (quartz)
Power reserve	approx. 5 years
Housing and insulation material	Self-extinguishing thermoplastic
Type of protection	IP 20
Class of protection	II according to EN 60 730-1
Permitted ambient temperature	-10 ~ +50 °C (non-icing)
Test approval	CE

Filament / Halogen lamp 230V	Compact Fluorescent Lamp	LED lamp 230V > 5 W	Fluorescent lamp with electronic ballast	Fluorescent lamp uncompensated	Fluorescent lamp series compensated	Fluorescent lamp parallel compensated
2800 W	200 W	200 W	650 W	1000 W	1000 W	550 W

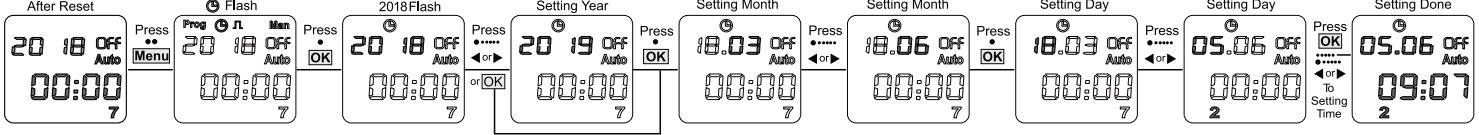


Product setting instructions:

1. The Timer is at off state before delivery, press the **Res** button on the interface to open the product display at the first time.
2. Press **Menu** and \odot 3 seconds, the timer will shut down and all programs and settings will be cleared.
3. If there is no operation for 30 seconds during the setting process, the current setting parameters will not be retained.

1. Date and Time setting: : Date at September 5, 2018; Time at 9:07

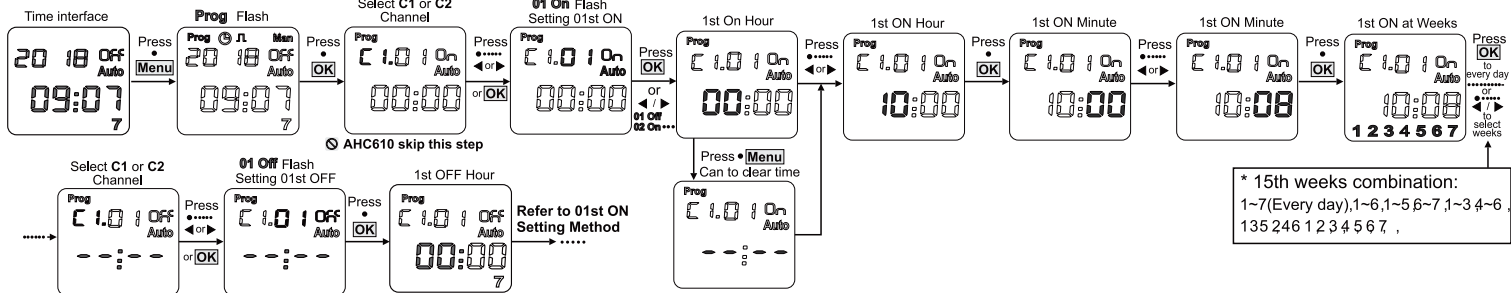
Example



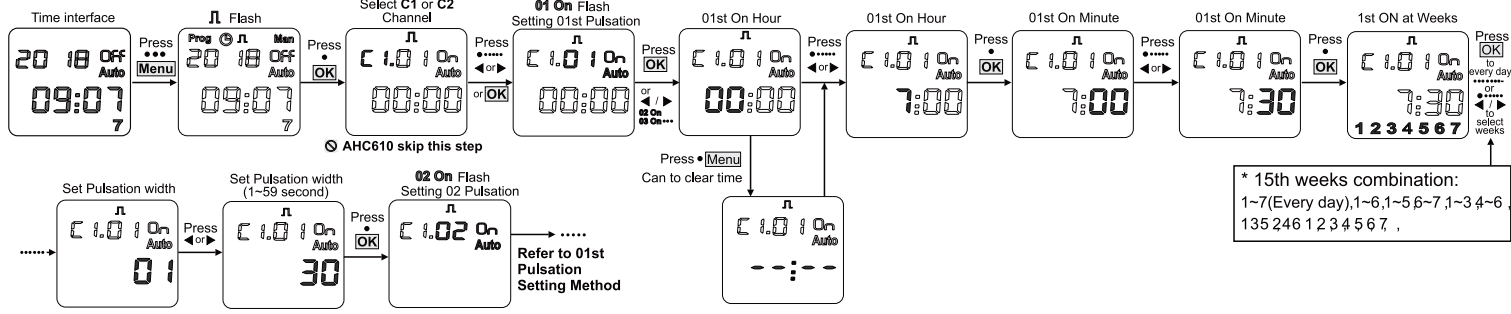
2. Timing and pulsation settings (2.1 and 2.2 functions can not be used at the same time)

- a. Press **Menu** during the setting process to return to the current time interface.
- b. Press **Menu** to view and modify ON / OFF programs and pulse programs
- c. The program time cannot be set to overlap. It should be set according to the time sequence.

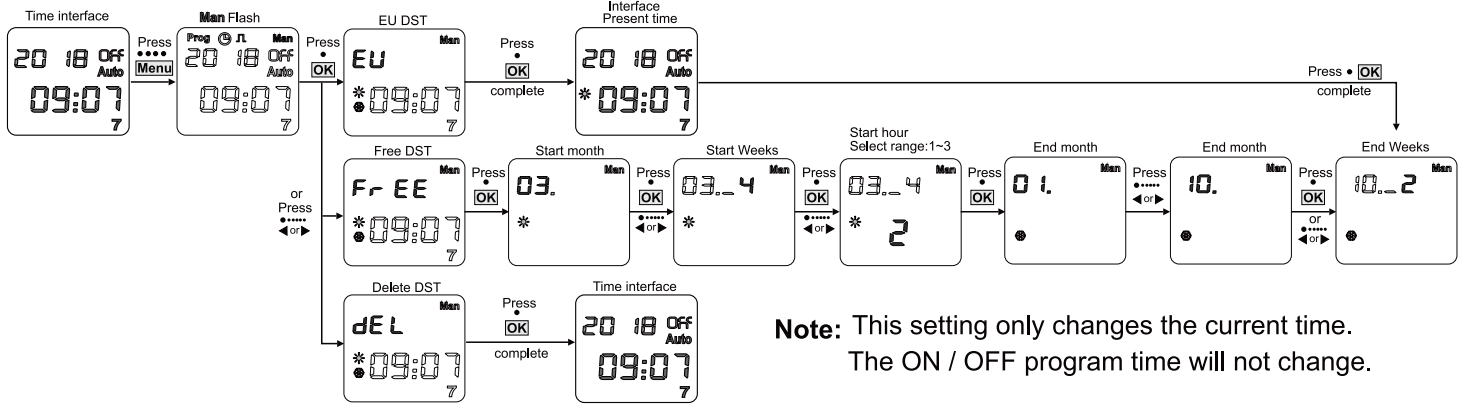
2.1 30 groups setting of on/off function: (The "Prog" symbol display on screen when set up



2.2 52 times of pulsation function setting, "Π" symbol display on screen when set up



3. Daylight saving time (DST) display time setting and delete "☀" or "❄" symbol display on screen when set up



4. Manual ON and OFF Channel 1 Press both "⊖" and "⊕" Channel 2 Press both "⊕" and "⊖"

Status display area (right side of the screen)	Working status	
On Auto	Automatic control status	Contact is ON status
Off Auto		Contact is OFF status
On	The set ON/OFF programs and pulsation programs is invalid	Force ON state
Off		Force OFF state