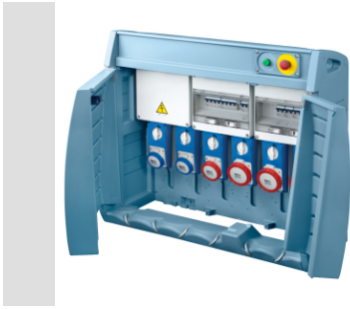


Product Data Sheet

GW68579

68 ACS Range



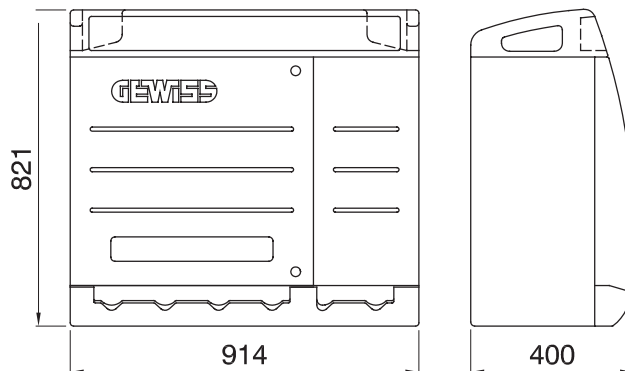
The distribution board for construction sites type Q-BOX are designed to withstand the effects of wear, impact and the stress caused by atmosph. They come in pre-wired versions fitted with interlocked socket-outlets (with or without a fuse-holder) up to 63A, or socket-outlets type IEC 309.. The wired versions are also equipped with accessories like the emergency push-button, lockable doors, stainless steel tear-proof cable-fastening hooks, and built-in transportation handles on the upper part of the board. To ensure the best possible positioning on the construction site, 68 Q-BOX ACS boards can be surface-mounted, floor-mounted or fitted on poles.

Type	Q-BOX 6 ACS	board type	Wired
Colour	Light blue	Outer dim. LxHxD (mm)	914x821x400
Weight (kg)	31	Accordance with Standards	EN 61439-4 (ACS)
Characteristics	UV resistance (EN 62208)	IP degree	IP55
Mechanical resistance	IK10	Glow wire test	650 °C
Thermo-pressure with ball	70 °C	Insulation class	II
Power supply	Terminal block	No. of poles	3P+N+E
Power suppliable (kW)	33	Mains switch	MCB 63A 4P 6kA
MCB'S MT main RCCB	RCCB 63A 4P 0,03A - AC type	Circuits protection	MCB
No. socket outlets	6	Socket-outlet 2P+E 16A - IB	3
Socket-outlet 3P+E 16A - IB	2	Socket-outlet 3P+N+E 32A - IB	1
Emergency push-button	Yes	Electrocod	139

BEHAVIOUR WITH CHEMICAL AND ATMOSPHERIC AGENTS

Saline solution	Acids		Bases		Solvents				Mineral oil	UV rays
	Concentrated	Diluted	Concentrated	Diluted	Hexane	Benzol	Acetone	Ethyl alcohol		
Resistant	Limited resistance	Resistant	Limited resistance	Resistant	Limited resistance	Limited resistance	Limited resistance	Resistant	Limited resistance	Resistant

DIMENSIONAL



TECHNICAL SYMBOLOGY



EN 61439-4 (ACS)



UV resistance (EN 62208)

IP

IP55

IK

IK10

GWT

650 °C



70 °C



II

STANDARDS/APPROVALS



GEWISS S.p.A. Via A. Volta, 1
24069 Cenate Sotto - Bergamo - Italy
tel. +39 035 94 61 11 fax +39 035 94 69 09

www.gewiss.com
sat@gewiss.com
Last update 20/04/2023

Data, measures, designs and pictures are shown only as informative purposes, and could be changed without previous notice