

# THORGEON

SENSORS

## PIR MOTION SENSOR

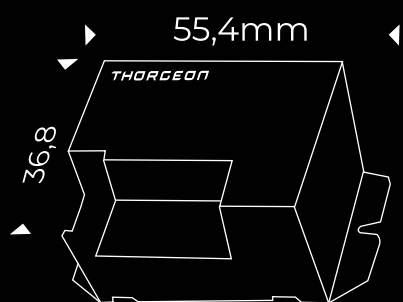
02025



Scan me

[www.thorgeon.com/02025](http://www.thorgeon.com/02025)

Manufactured in PRC



LED  
POWER  
800W

120/360°

6m

TIME

LUX

INDOOR  
OUTDOOR

IP65

Hz  
50-60

220-240V

1.8-2.5m

-20°C

+40°C

CE EAC UK CA



# THORGEON



[www.thorgeon.com](http://www.thorgeon.com)

SIA "ATTA-1", Daugavgrivas street 77,  
Riga, Latvia, LV-1007



4751029899620

Developed in Latvia

## PIR MOTION SENSOR

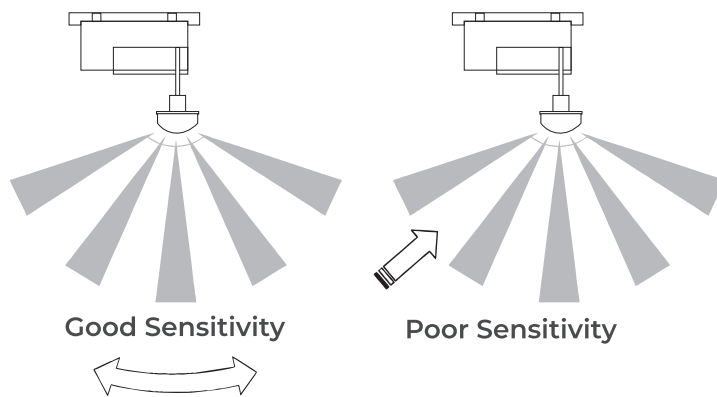
The product adopts good sensitivity detector and integrated circuit. It gathers automatism, convenience, safety, saving-energy and practical functions. It utilizes the infrared energy from human as control-signal source and it can start the load at once when one enters detection field. It can identify day and night automatically. It is easy to install and used widely.

### SPECIFICATION:

Power Source: 220-240V/AC	Detection Range: 120°/360°
Power Frequency: 50/60Hz	Detection Distance: 3m/6m (choice)(<24°C)
Ambient Light: 10LUX/2000LUX (choice)	Working Temperature: -20~+40°C
Time Delay: 5s, 30s, 1min, 3min, 5min, 8min (choice)	Working Humidity: <93%RH
Rated Load: Max.800W  400W 	Power Consumption: approx 0.5W
Detection Moving Speed: 0.6-1.5m/s	Installation Height: 1.8-2.5m (wall mounting)
	Installation Height: 2.2-4m (ceiling mounting)
	IP Class: IP65

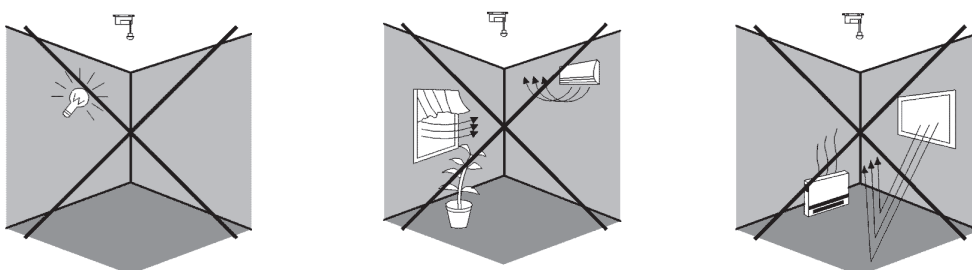
### FUNCTION:

- Can identify day and night automatically: when turn to SUN ((below is SUN)), it will work day and night, when turn it to MOON (above is moon), it will only work in the ambient light less than 10LUX. As for adjustment, please refer to testing way.
- SENS adjustable: It can be adjusted according to using location. The detection distance of low sensitivity could be only 3m and high sensitivity could be 6m which fits for large room.
- Time-Delay is added continually: When it receives the second induction signals within the first induction, it will restart to time from the moment.



### INSTALLATION ADVICE:

- As the detector responds to changes in temperature, avoid the following situations:
- Avoid pointing the detector towards objects with highly reflective surfaces, such as mirrors etc.
  - Avoid mounting the detector near heat sources, such as heating vents, air conditioning units, light etc.
  - Avoid pointing the detector towards objects that may move in the wind, such as curtains, tall plants etc.



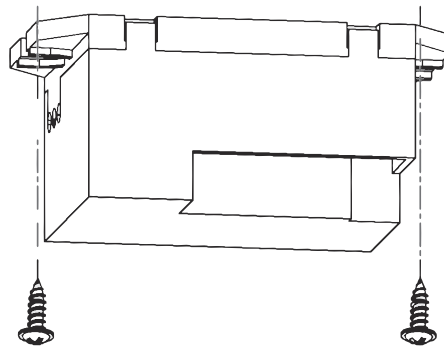
## CONNECTION:

**Warning. Danger of death through electric shock!**

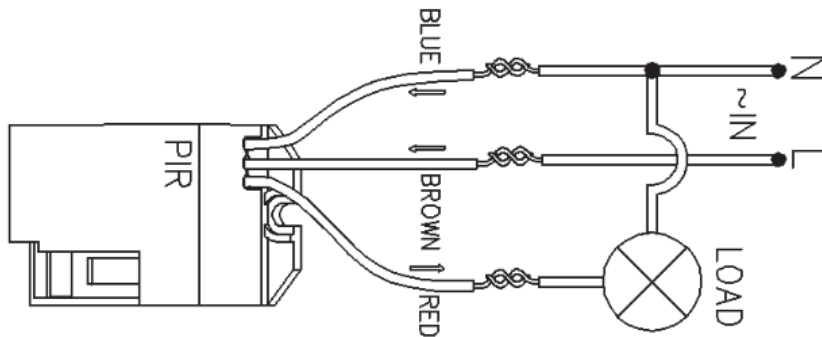


- Must be installed by professional electrician.
- Disconnect power source.
- Cover or shield any adjacent live components.
- Ensure device cannot be switched on.
- Check power supply is disconnected.

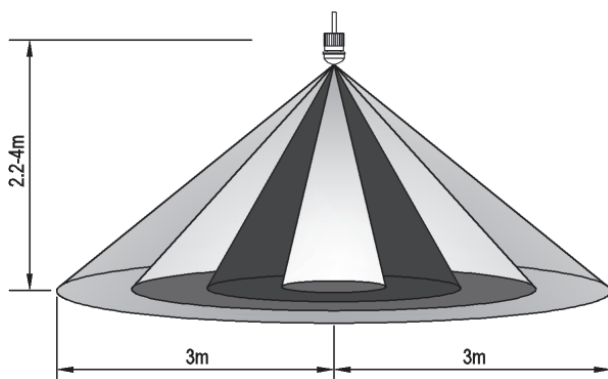
- Connect the power and the load according to the connection-wire diagram.
- Fix the bottom on the selected position with the inflated screw.
- Switch on the power and test it.



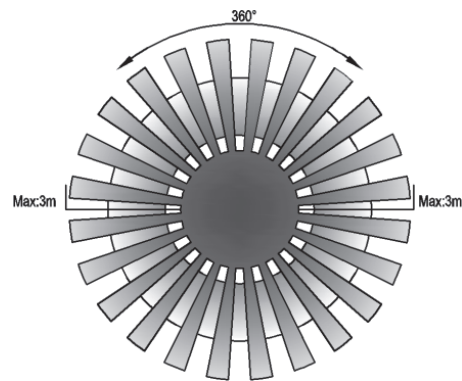
## CONNECTION-WIRE DIAGRAM



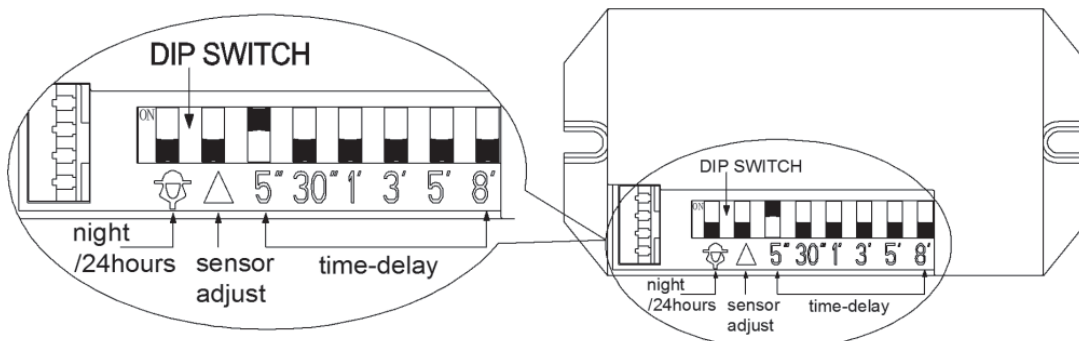
## SENSOR INFORMATION:




Height of installation: 2.2-4m



Detection Distance: Max.6m




**TEST:**

Slide the LUX switch  to SUN position (below is SUN). Slide the SENS switch to maximum (below is  $\Delta$  the maximum). Adjust the TIME switch, slide 5" switch to ON position. (slide upwards)

Switch on the power; the sensor and its connected lamp will have no signal at the beginning. After Warm-up 30 sec, the sensor can start work. If the sensor receives the induction signal, the lamp will turn on. While there is no another induction signal any more, the load should stop working within 5 sec and the lamp would turn off.

Slide the LUX knob above on the minimum (moon). If the ambient light is more than 10LUX, the sensor would not work and the lamp stop working too. If the ambient light is less than 3LUX (darkness), the sensor would work. Under no induction signal condition, the sensor should stop working within 5sec.

**Note: when testing in daylight, please turn LUX knob to  (SUN) position, otherwise the sensor lamp could not work! If the lamp is more than 60W, the distance between lamp and sensor should be 60cm at least.**

**SOME PROBLEM AND SOLVED WAY:****The load does not work:**

- Please check if the connection of power source and load is correct.
- Please check if the load is good.
- Please check if the settings of working light correspond to ambient light.

**The sensitivity is poor:**

- Please check if there is any hindrance in front of the detector to affect it to receive the signals.
- Please check if the ambient temperature is too high.
- Please check if the induction signal source is in the detection field.
- Please check if the installation height corresponds to the height required in the instruction.
- Please check if the moving orientation is correct.

**The sensor can not shut off the load automatically:**

- Please check if there is continual signal in the detection field.
- Please check if the time delay is set to the maximum position.